

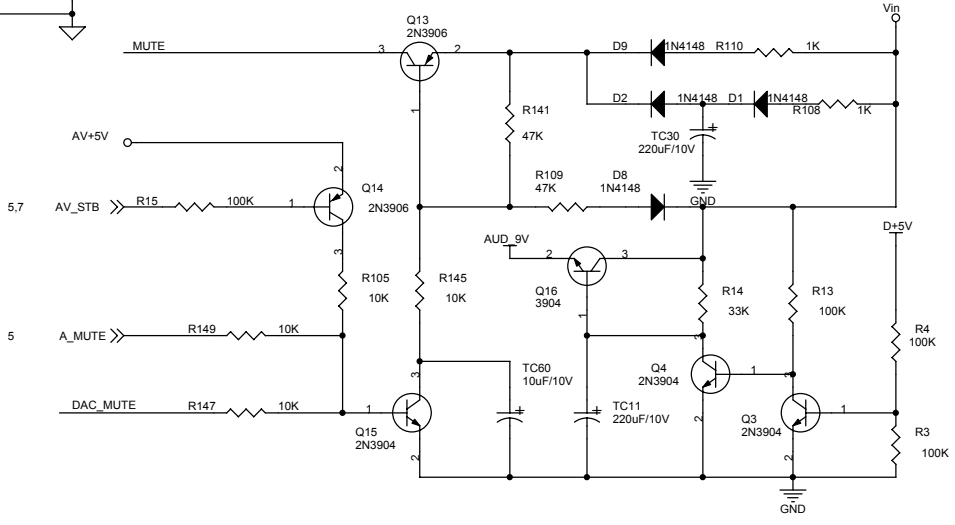
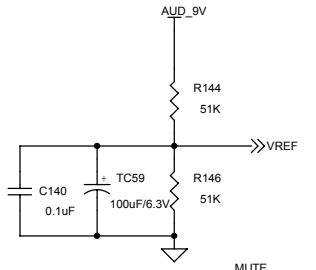
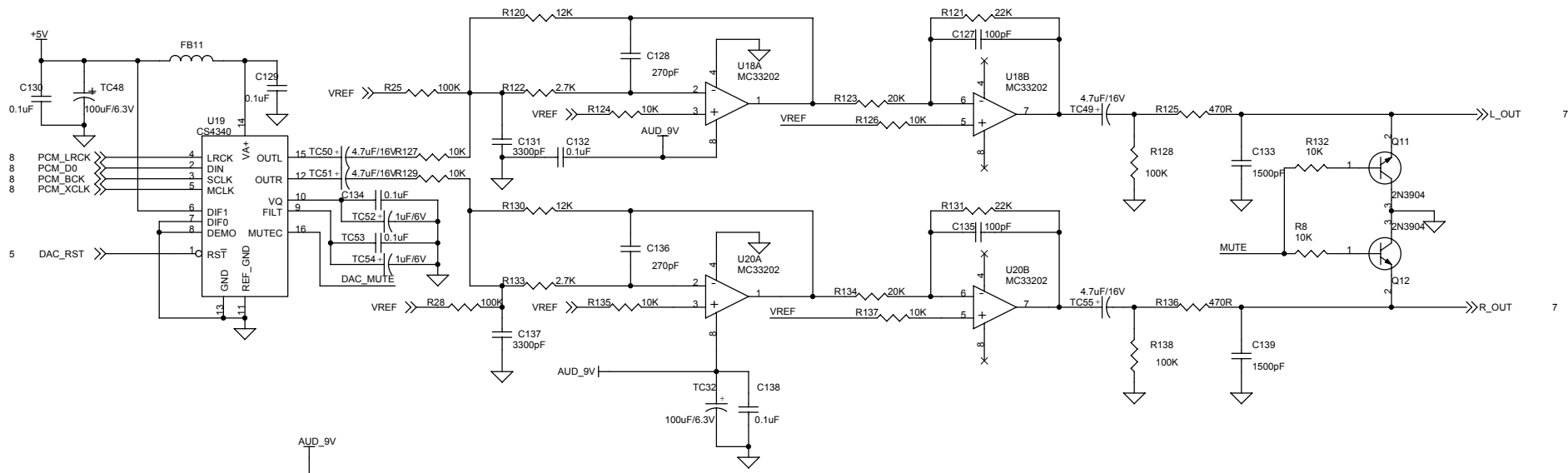
GECKO STAND ALONE BOARD: DVD AND ATAPI PORTS

VB3064A

V1.0

Friday, July 16, 2004



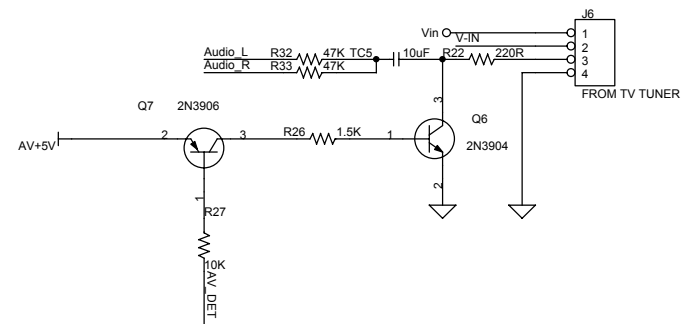
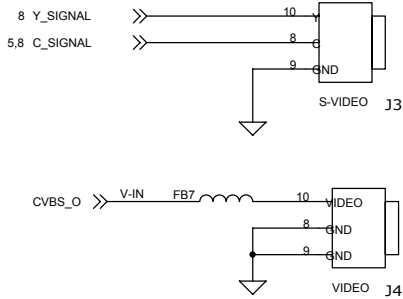
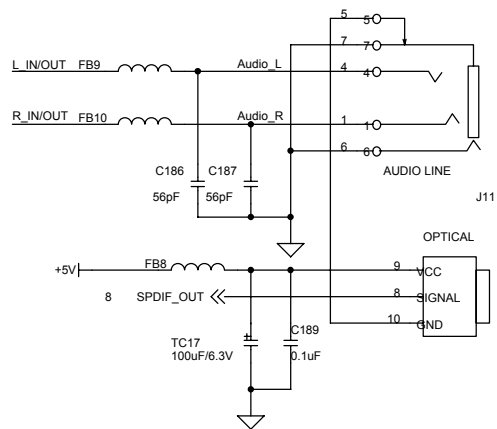
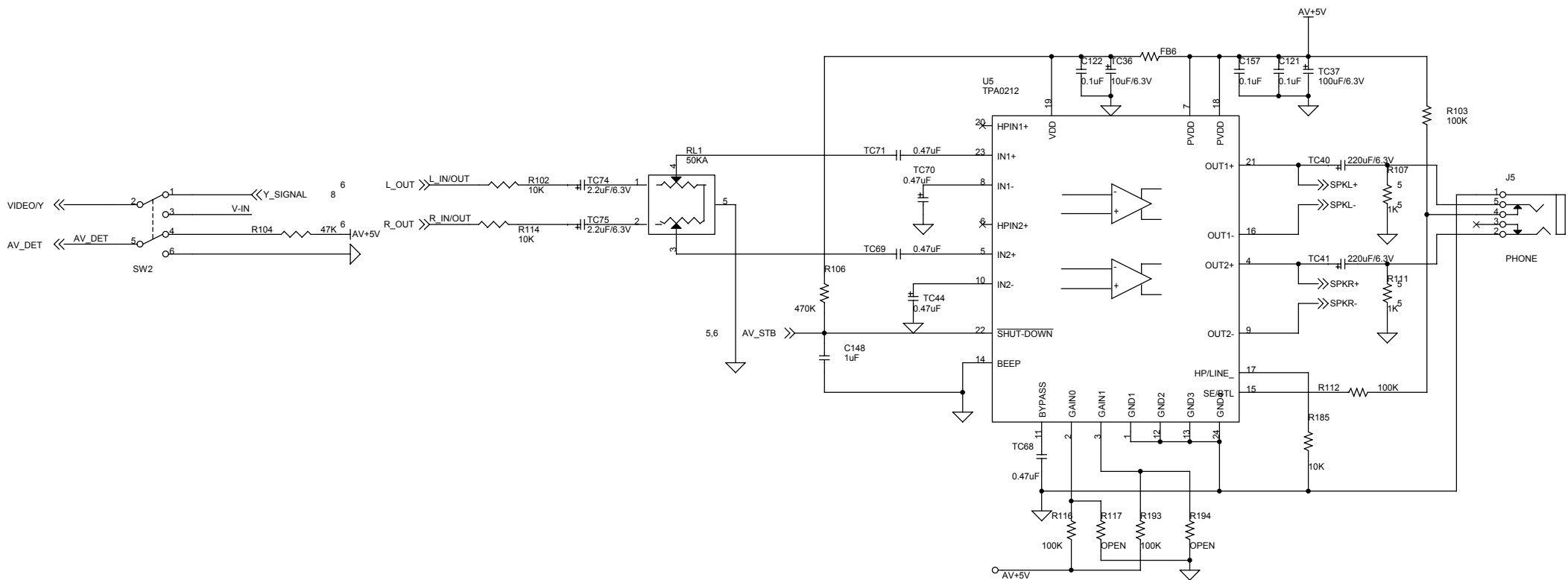


GECKO STAND ALONE BOARD: AUDIO DAC, SPDIF

VB3064A

V1.0

Friday, July 16, 2004



AV SWITCH AND AUDIO AMP

A3

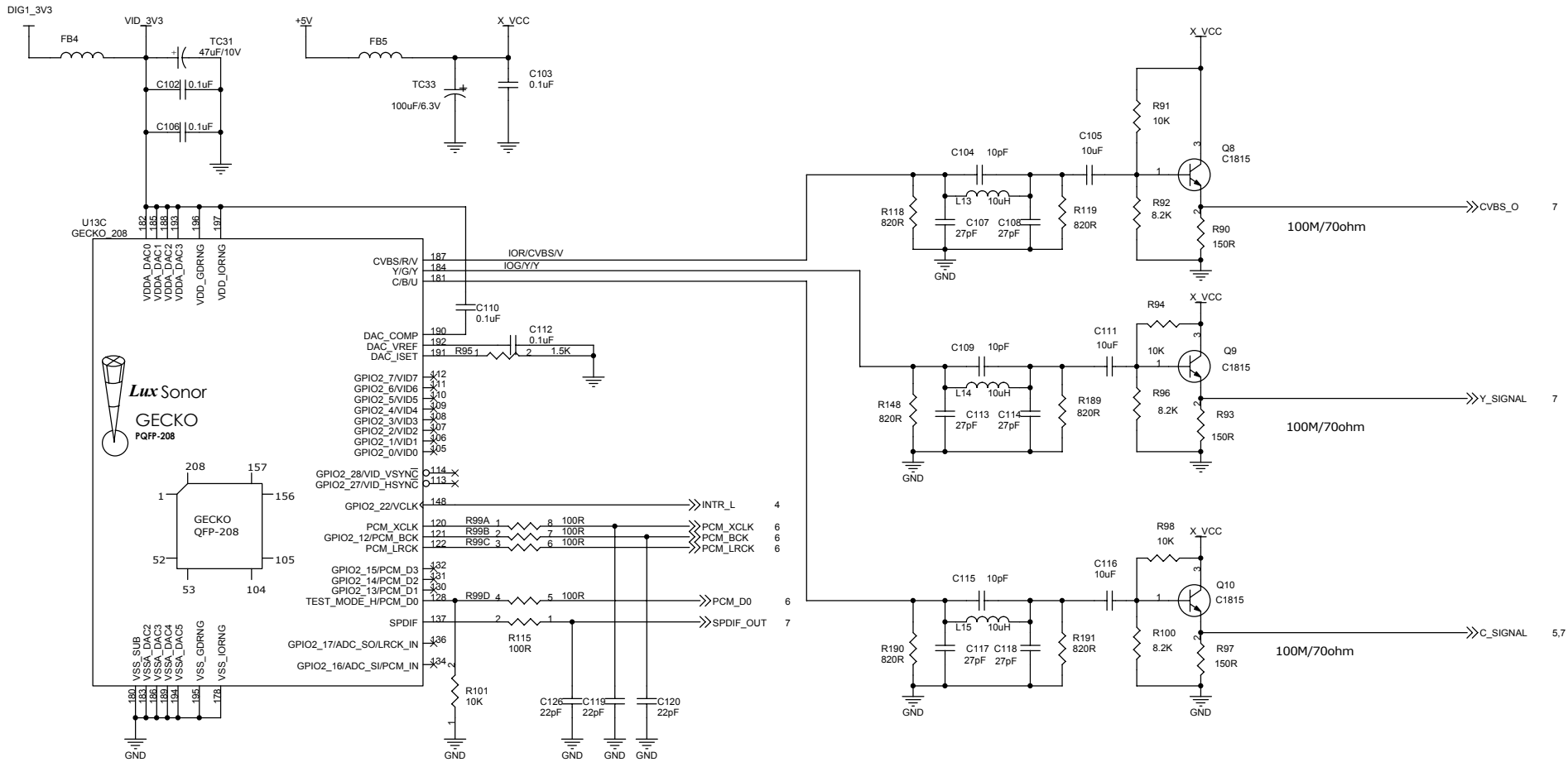
VB3064A

V1.0

Friday, July 16, 2004

7

12



PORTABLE DVD FOR VIA'S SERVO BOARD: VIDEO OUTPUT

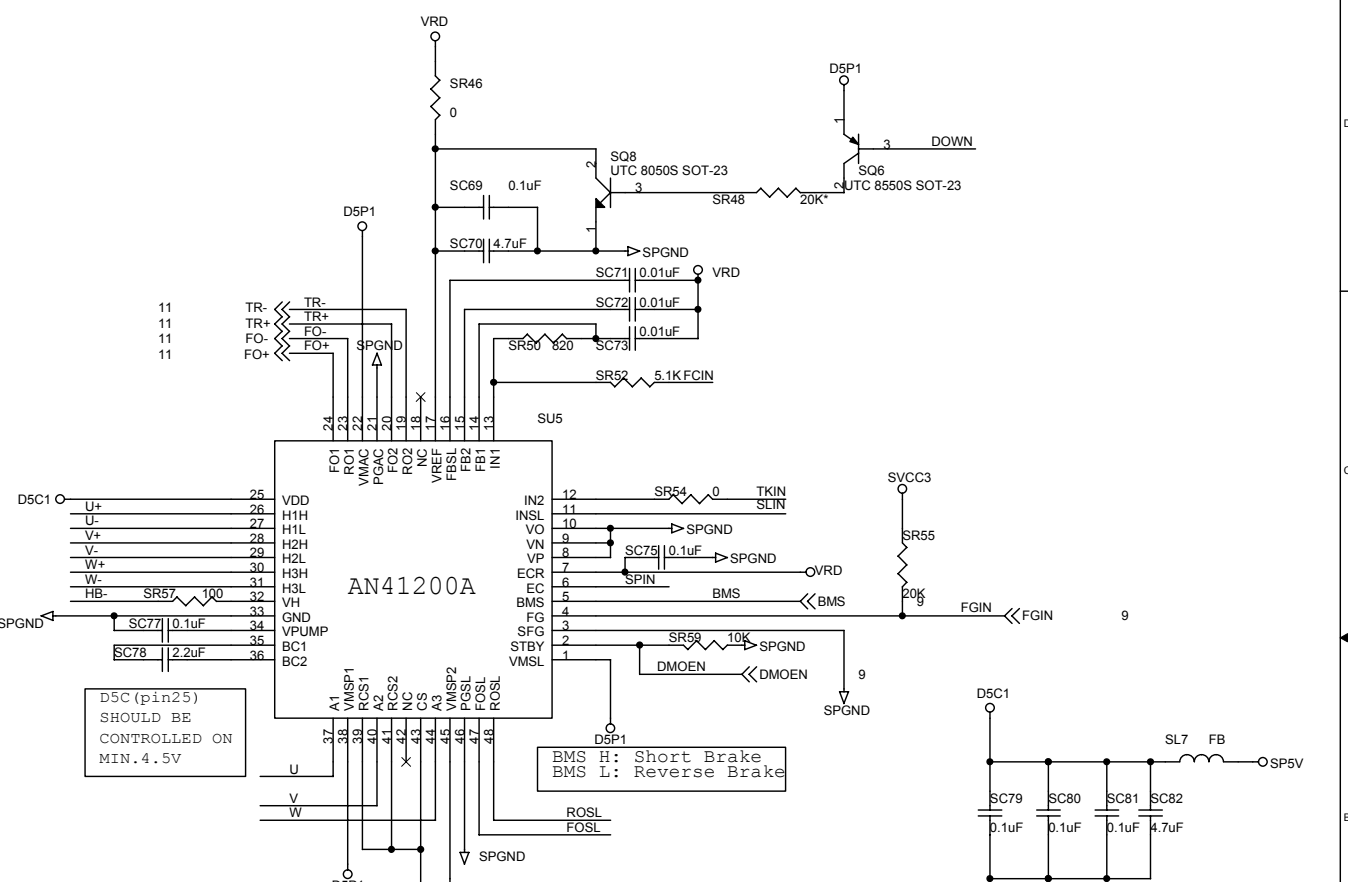
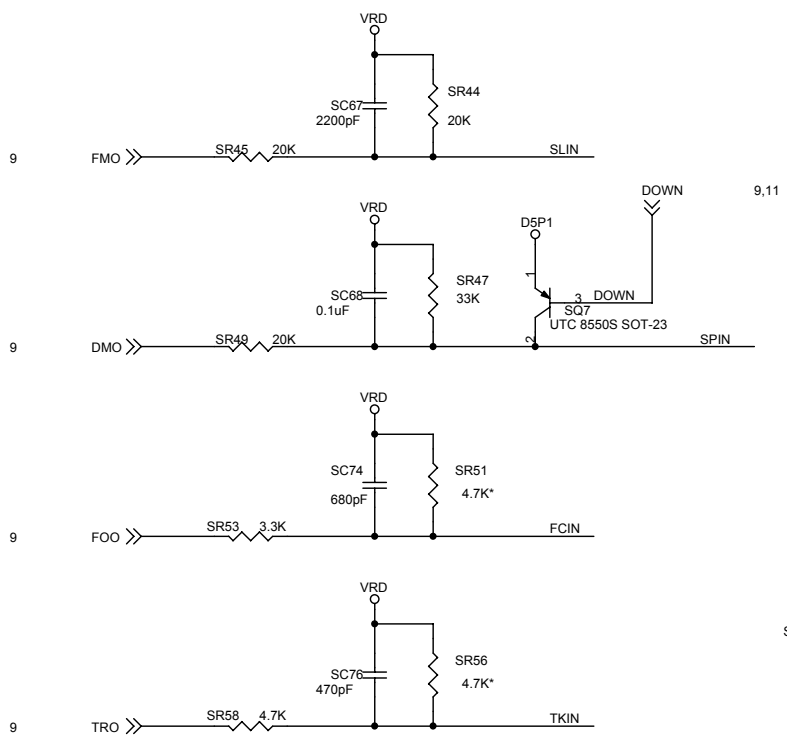
VB3064A

V1.0

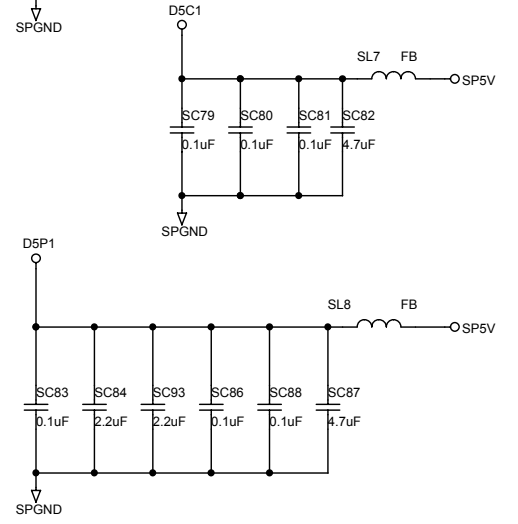
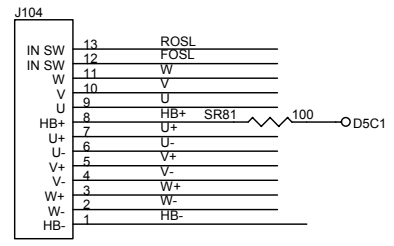
Friday, July 16, 2004

1 8 12





**For QSI 085T**



**MOTOR DRIVER**

**VB3064A**

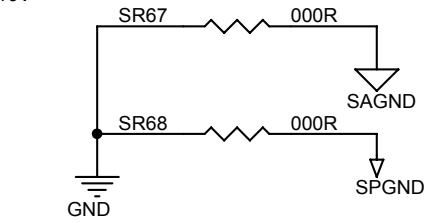
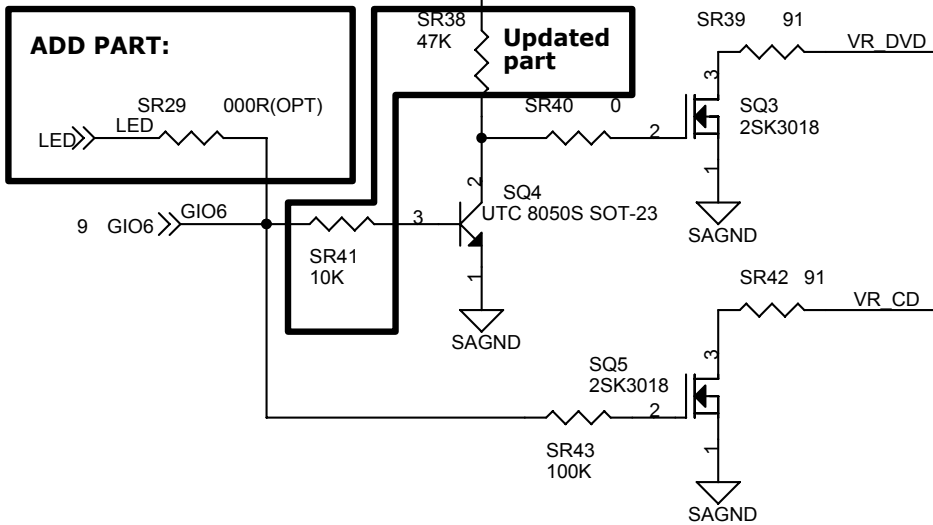
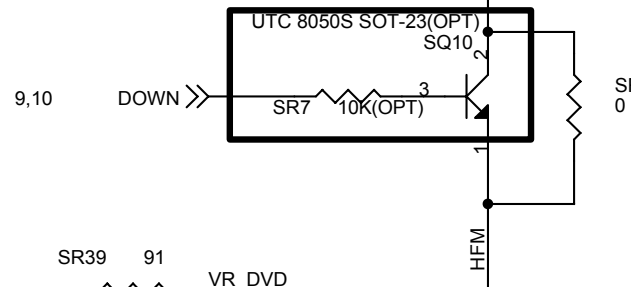
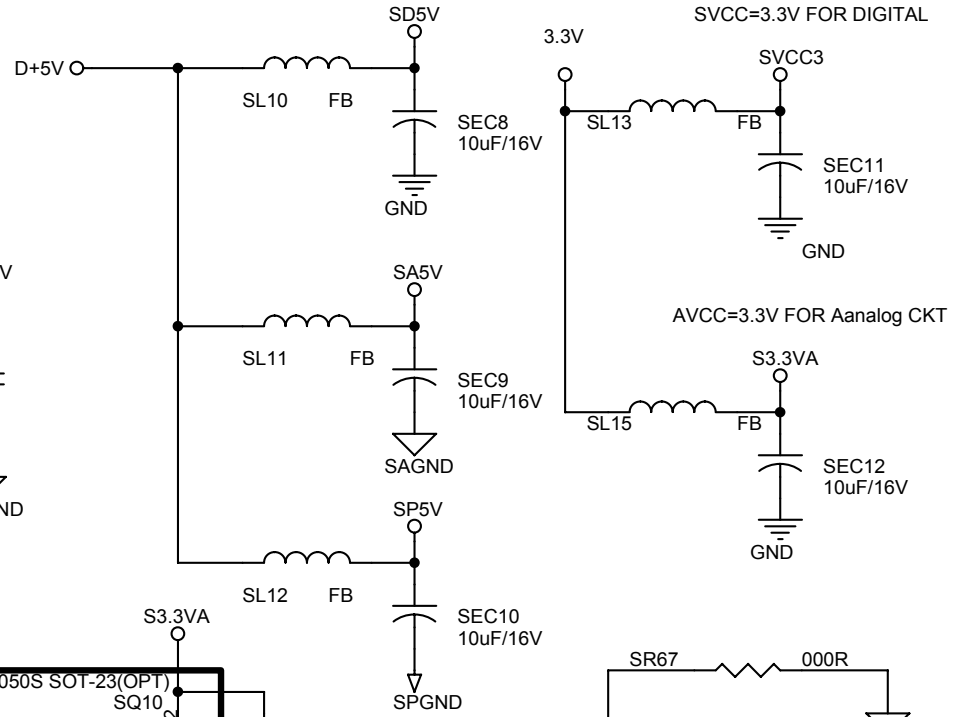
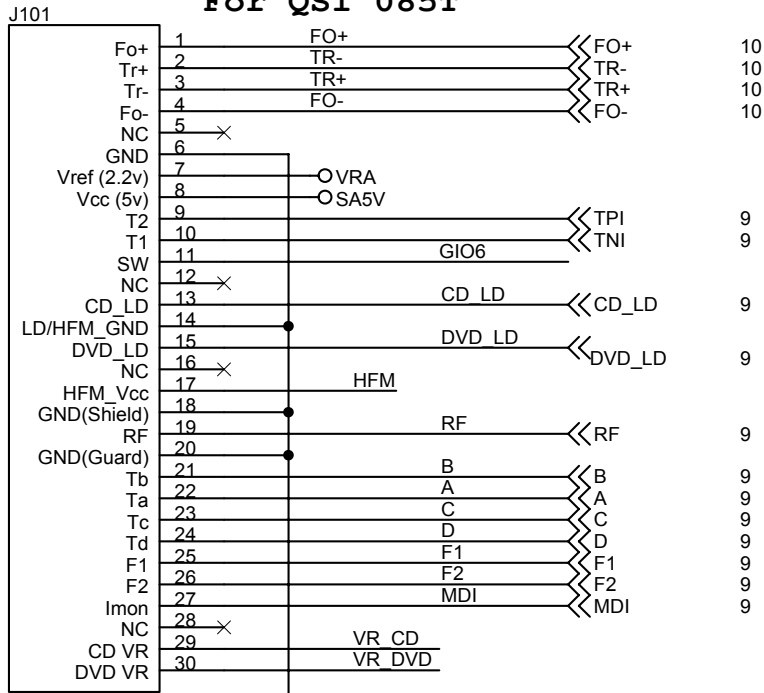
V1.0

Friday, July 16, 2004

10

12

# For QSI 085T

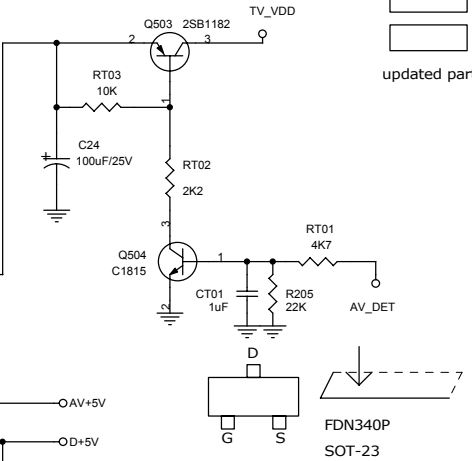
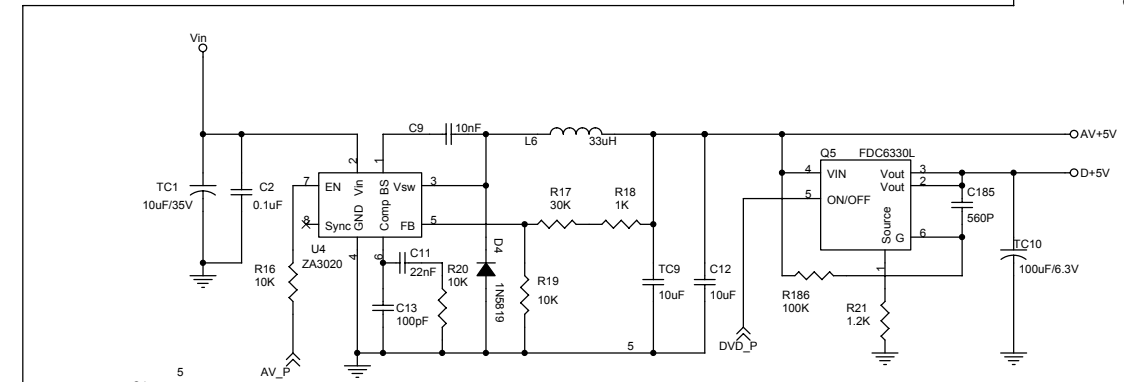
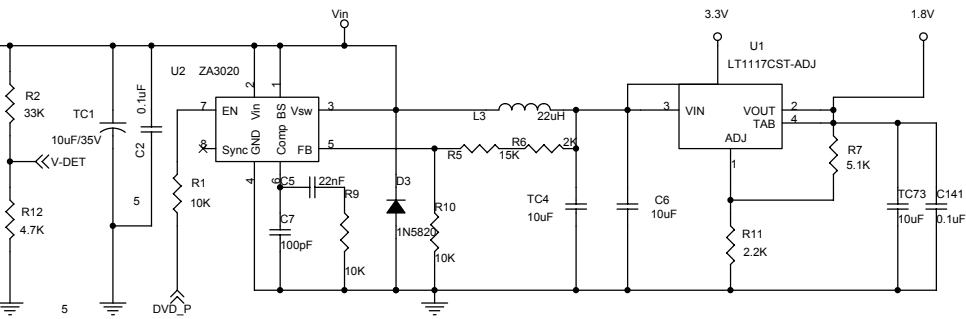
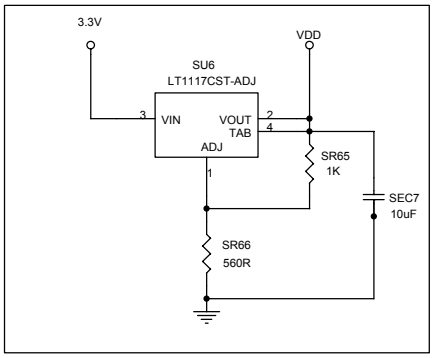
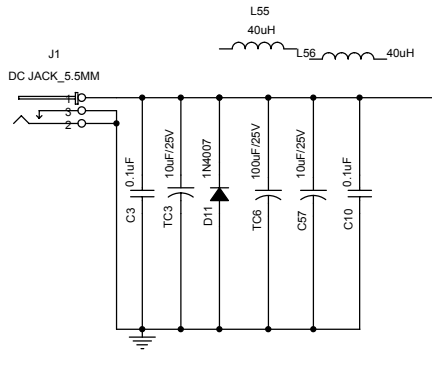


GIO6	1	0
CD/DVD	CD	DVD
VR	CD_VR	DVD_VR

## SERVO POWER AND CONNECTOR

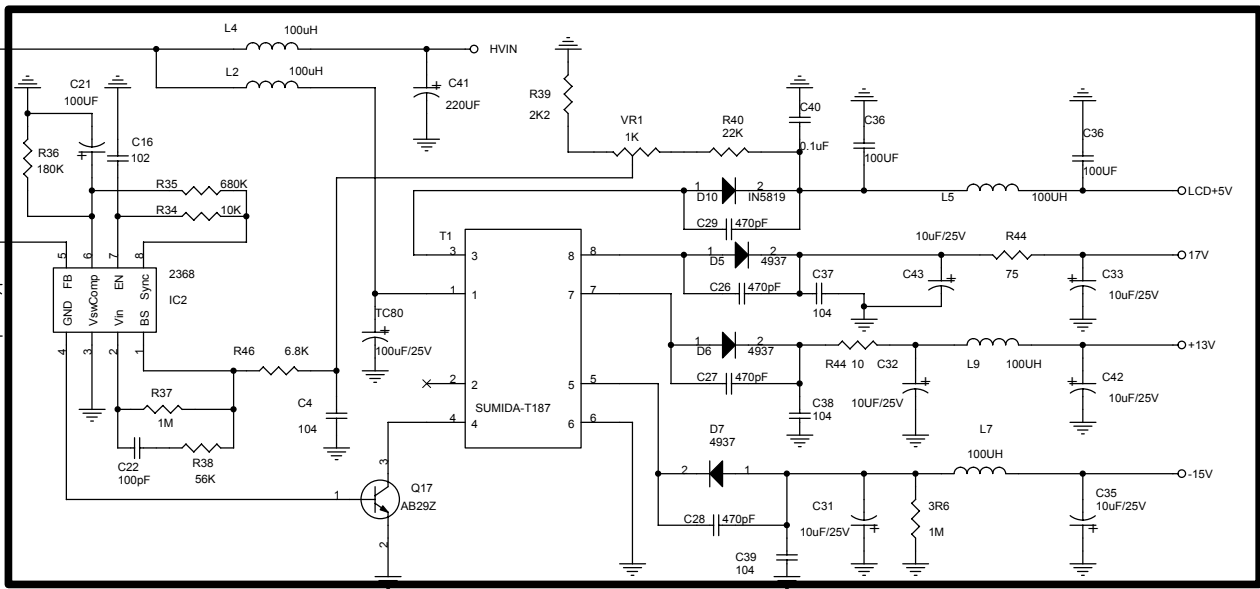
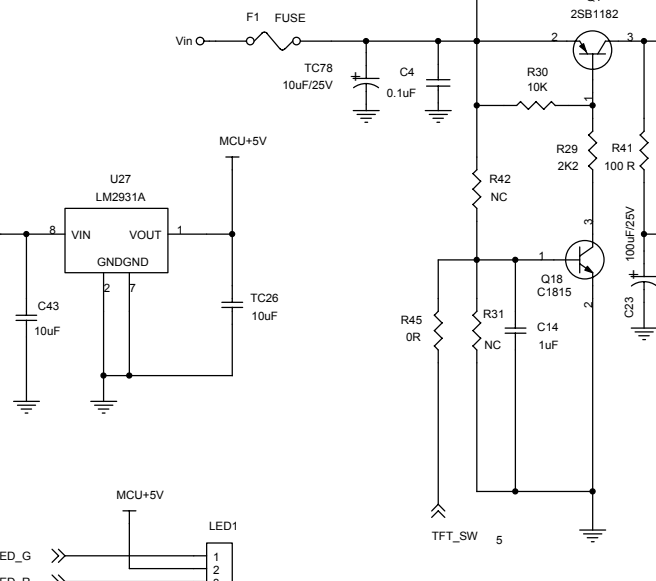
VB3064A

V1.0



**DC/DC CIRCUIT FOR SERVO&MPEG SUPPLY**

DVD\_P=H ON  
AV\_P=H ON



**DC/DC CIRCUIT FOR LCD SUPPLY**

TFT\_SW=H TFT POWER ON  
TFT\_SW=L TFT POWER OFF

HONESTAR REFERENCE DESIGN

此线路图仅供参考, 厂方如有改动, 恕不另行告知.

VB3064A

V1.0