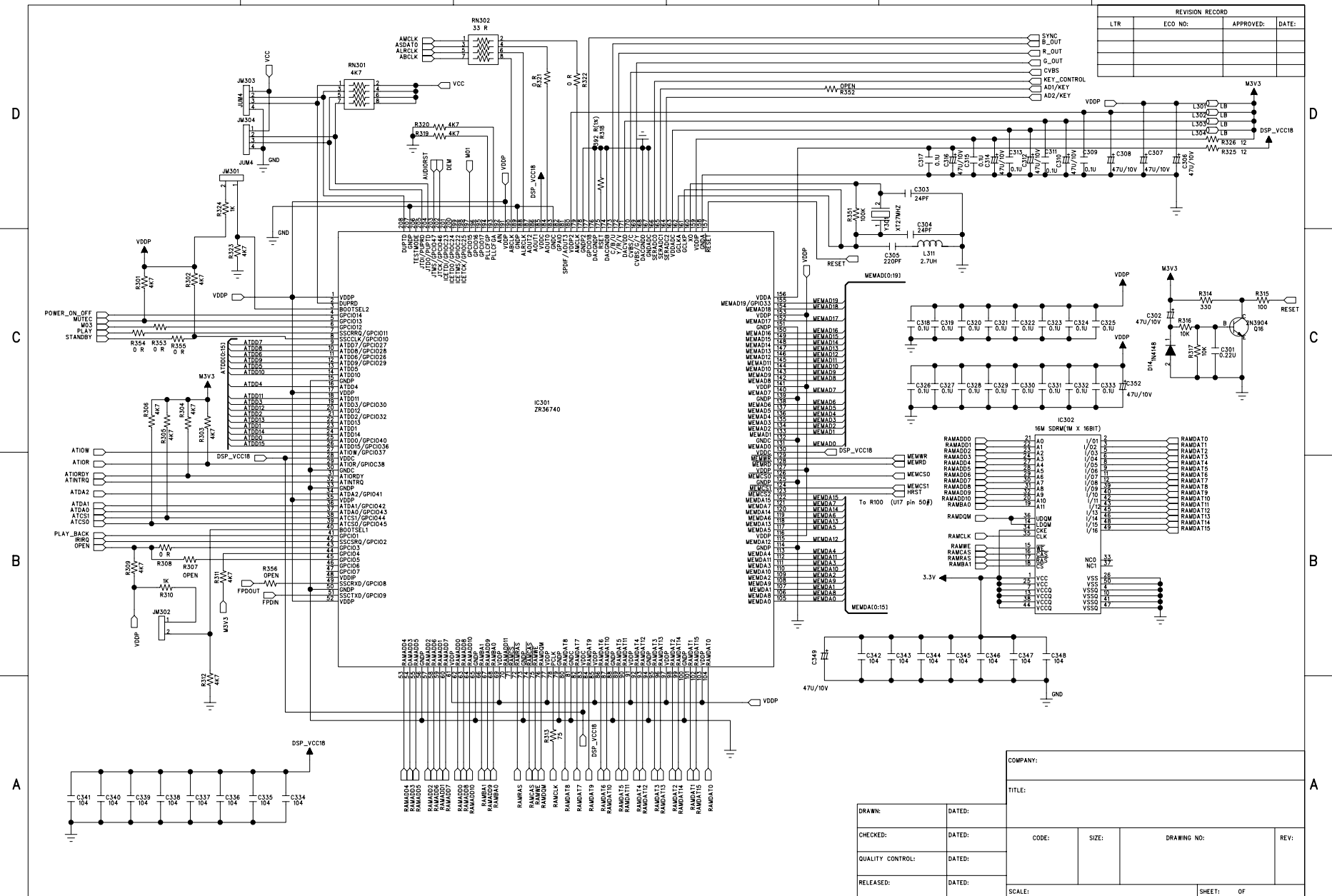


REVISION RECORD			
LTR	ECO NO:	APPROVED:	DATE:



COMPANY: _____

TITLE: _____

DRAWN: _____	DATED: _____	CODE: _____	SIZE: _____	DRAWING NO: _____	REV: _____
CHECKED: _____	DATED: _____				
QUALITY CONTROL: _____	DATED: _____				
RELEASED: _____	DATED: _____				

SCALE: _____ SHEET: _____ OF _____

6

5

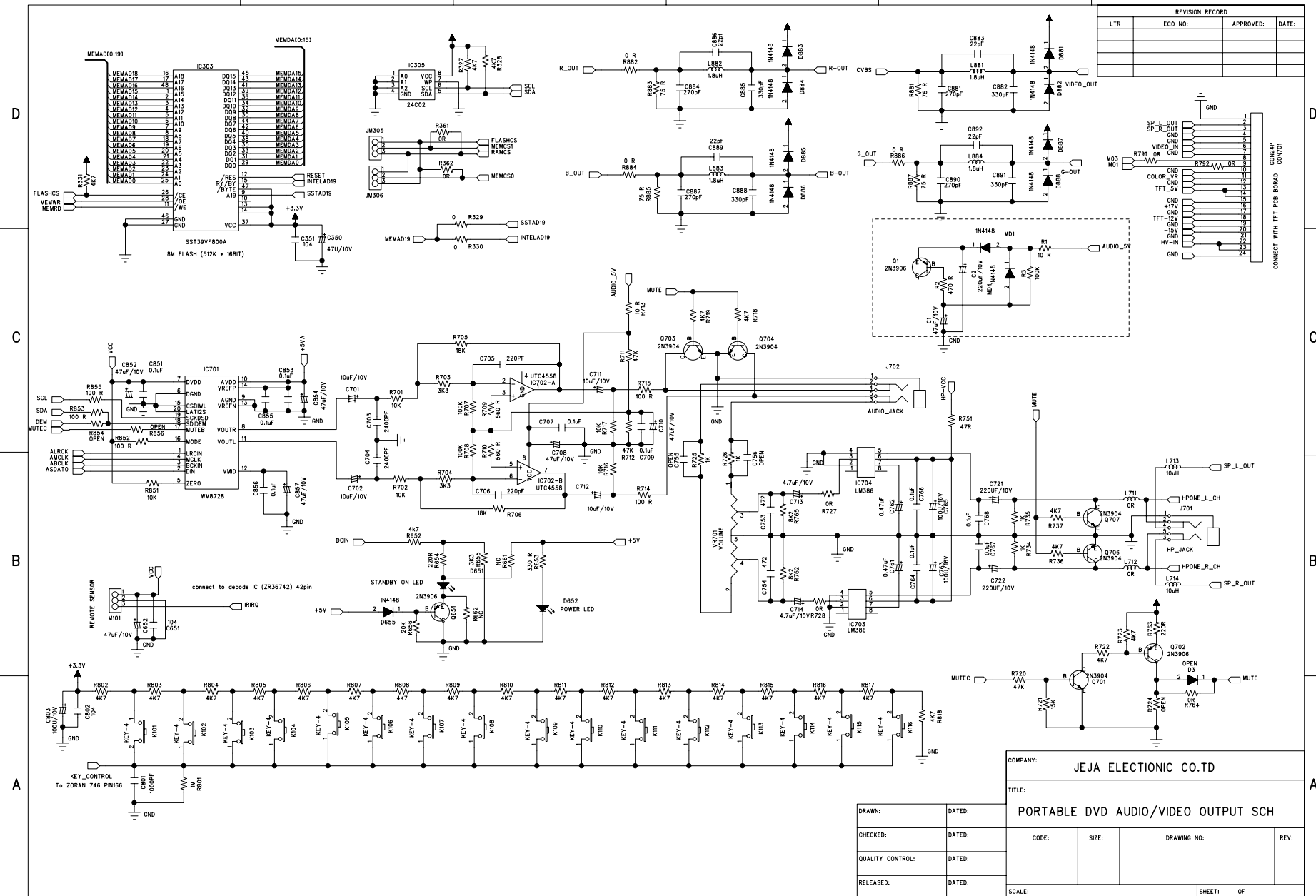
4

3

2

1

REVISION RECORD			
LTR	ECO NO:	APPROVED:	DATE:



COMPANY: JEJA ELECTRONIC CO.TD

TITLE: PORTABLE DVD AUDIO/VIDEO OUTPUT SCH

DRAWN:	DATED:	CODE:	SIZE:	DRAWING NO:	REV:
CHECKED:	DATED:				
QUALITY CONTROL:	DATED:				
RELEASED:	DATED:				

SCALE: SHEET: 01 OF

D

C

B

A

D

C

B

A

CONNECT WITH TFT PCB BOARD CON24P CON701

6

5

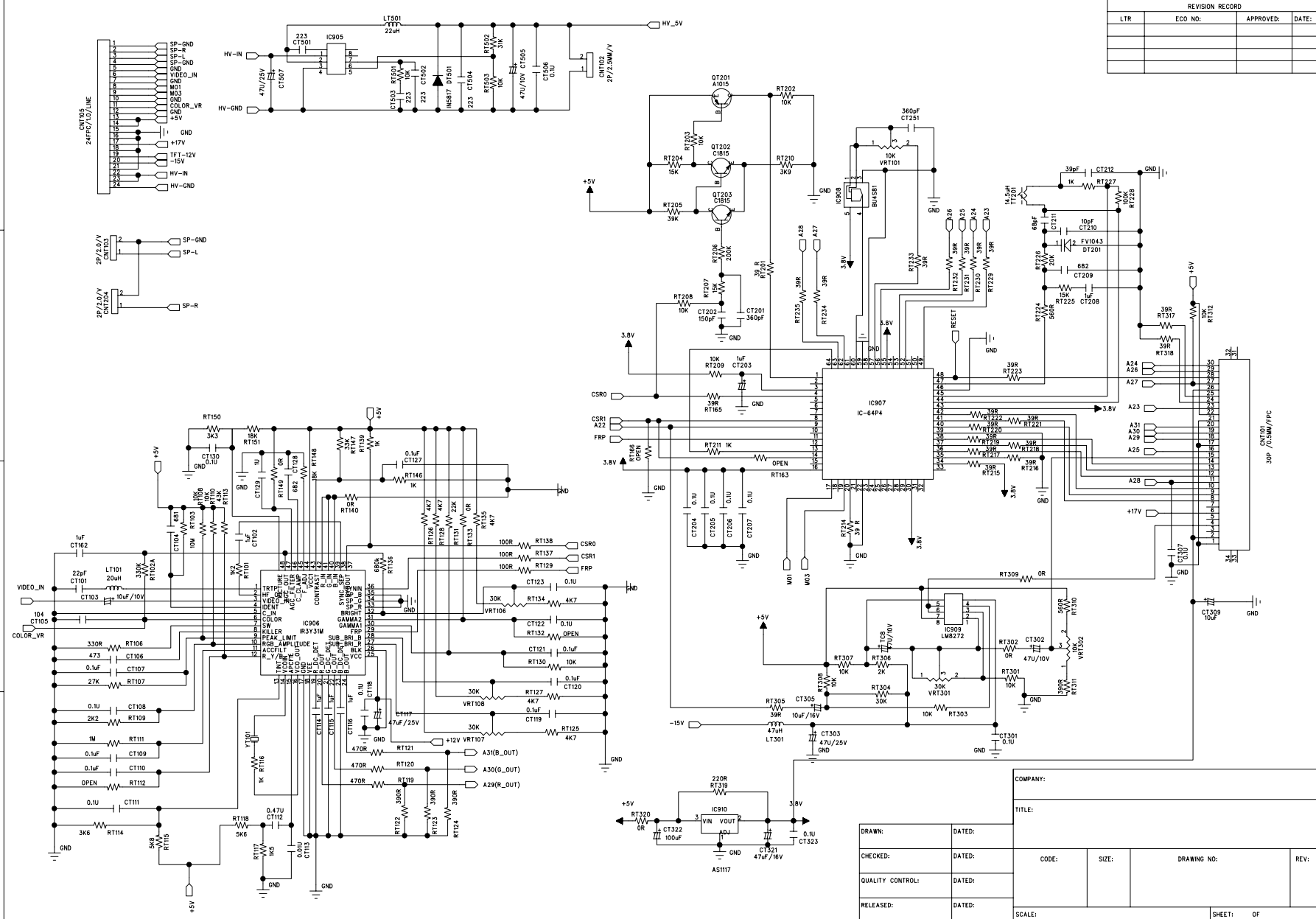
4

3

2

1

REVISION RECORD			
LTR	ECO NO:	APPROVED:	DATE:



D

C

B

A

D

C

B

A

DRAWN:		DATED:		COMPANY:	
CHECKED:		DATED:		TITLE:	
QUALITY CONTROL:		DATED:		CODE:	SIZE:
RELEASED:		DATED:		DRAWING NO:	REV:
SCALE:				SHEET: OF	