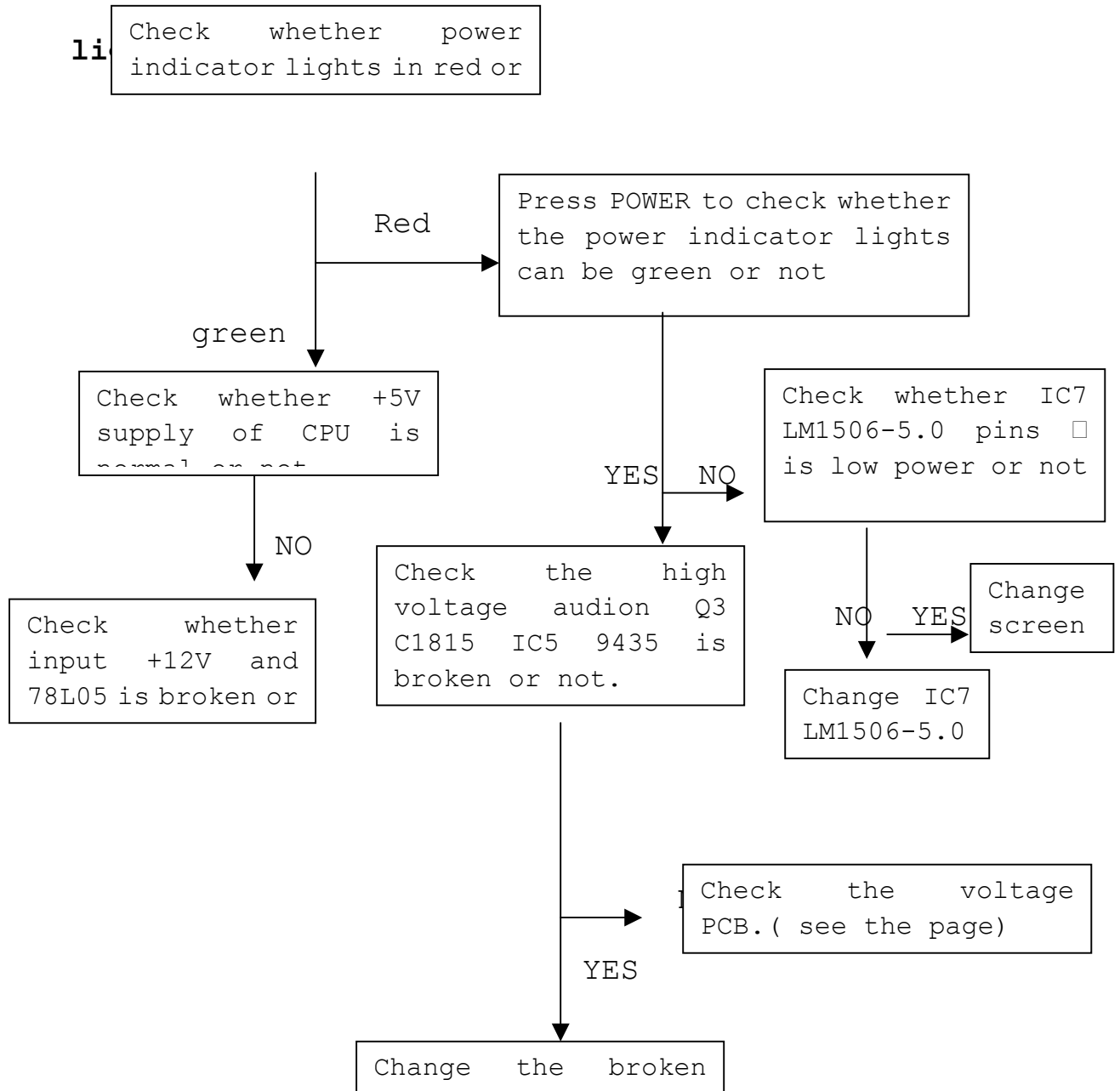
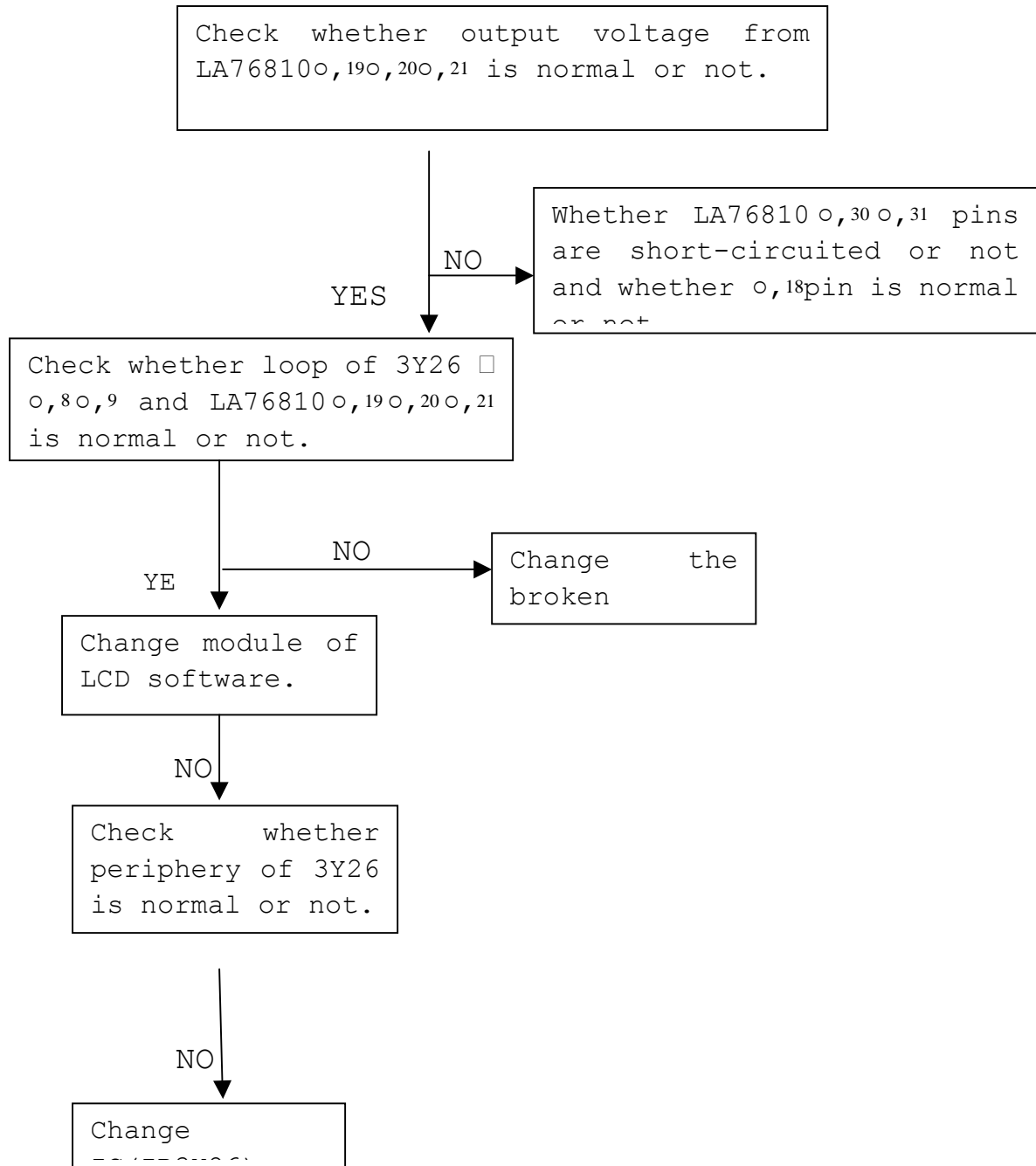

Maintenance Manual

1. Repairing precedures for no sound, no picture and no

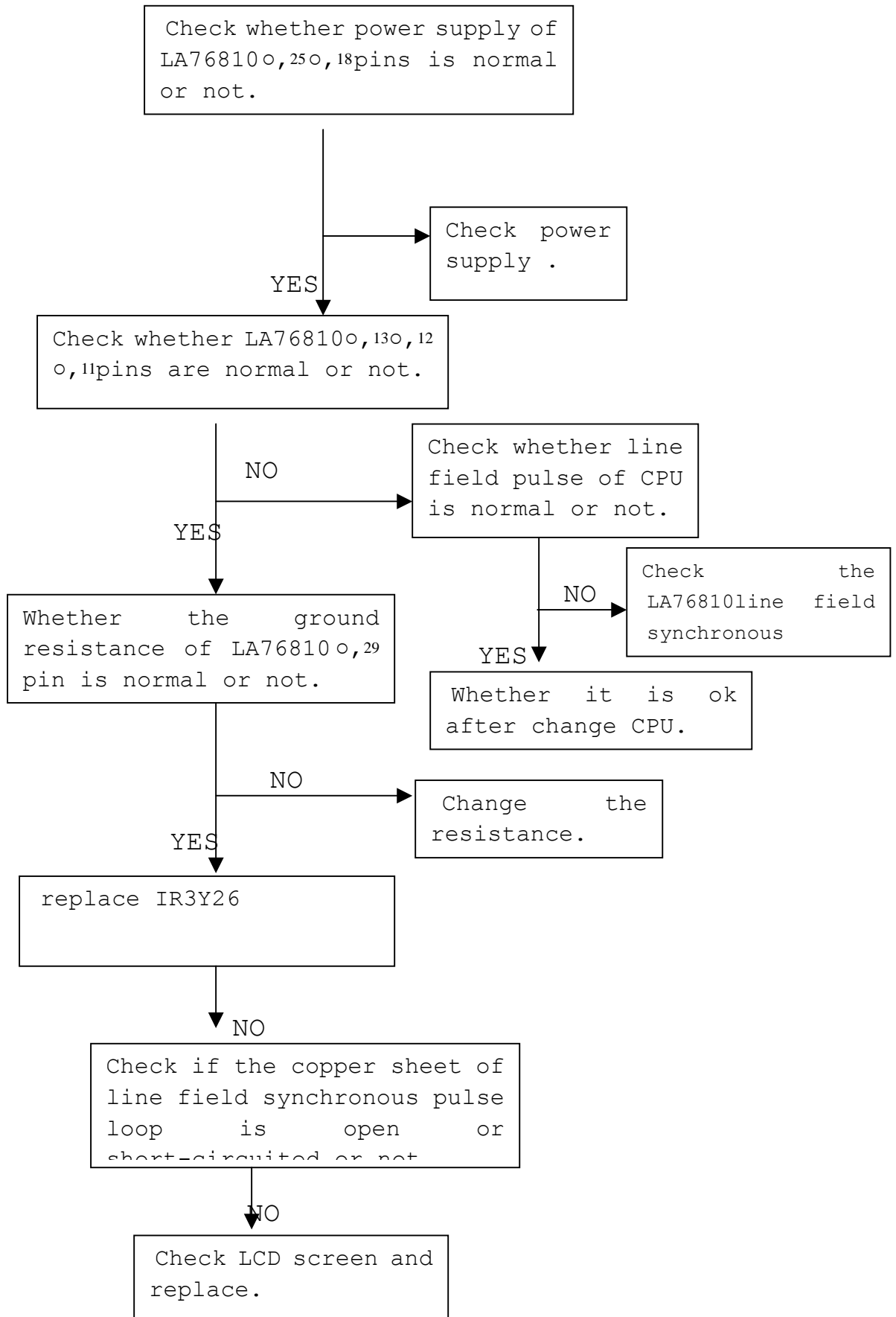
li



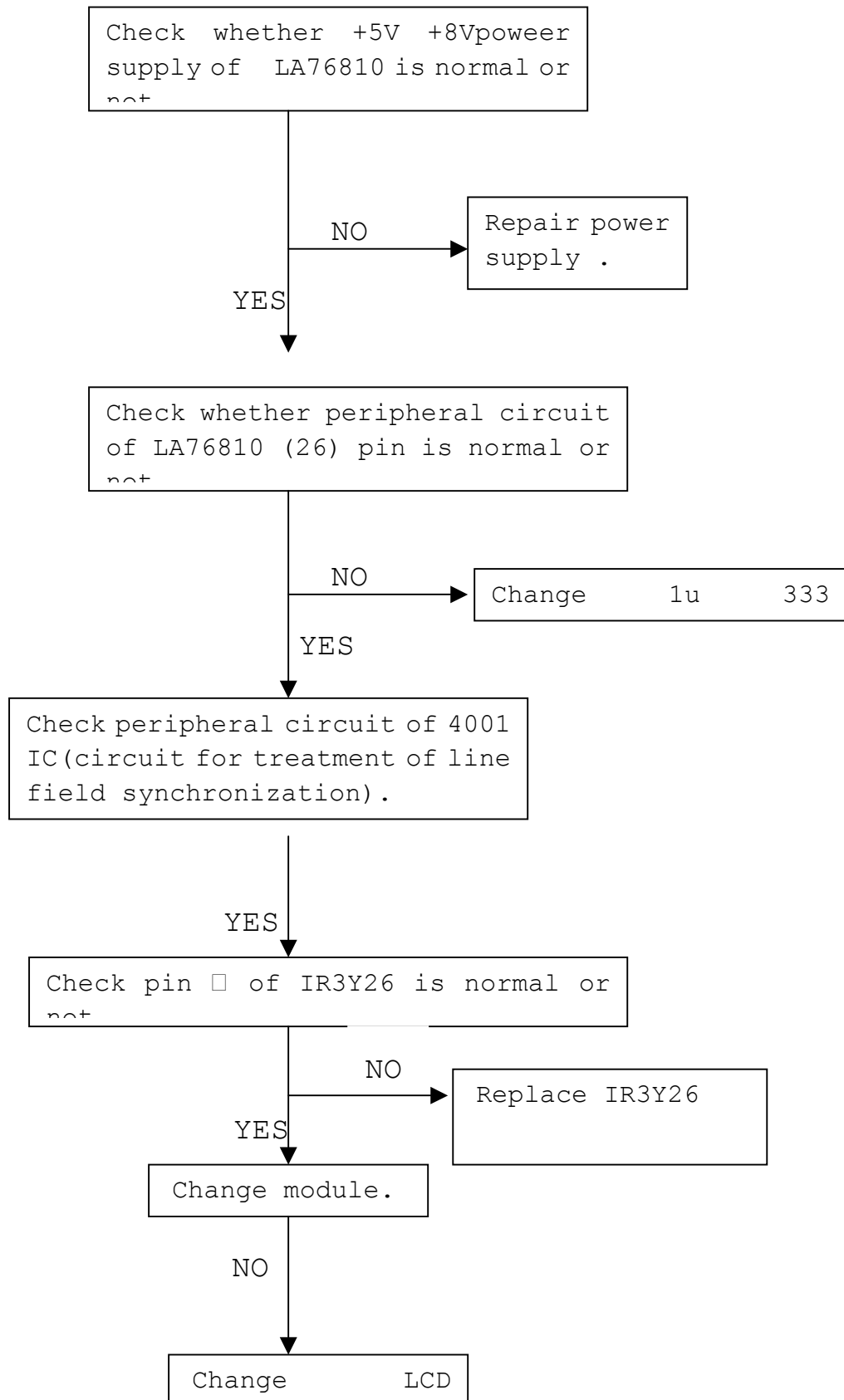
2. Repairing procedures for Inferior color



3. WITH Sound, with light and black screen

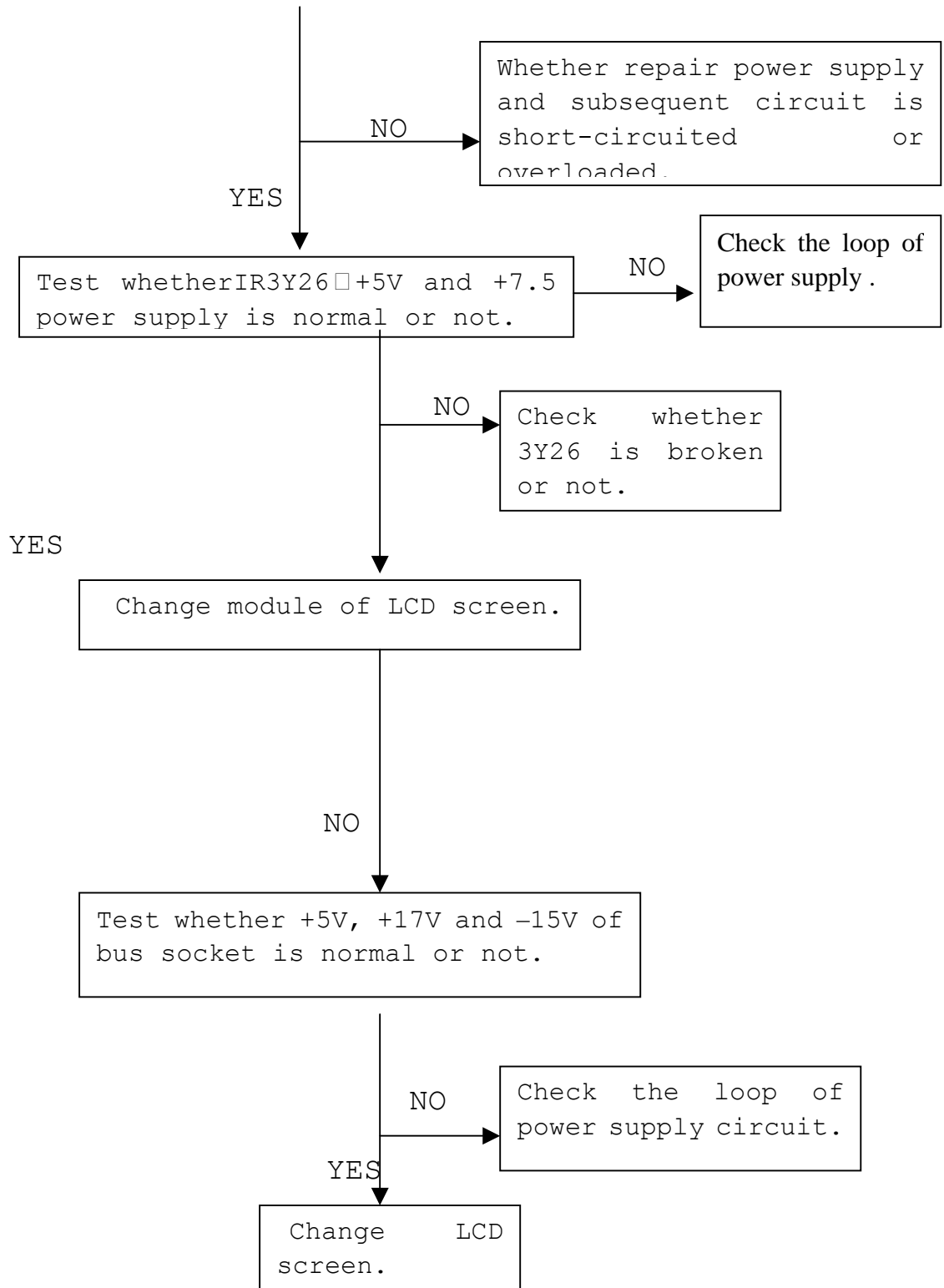


4. Repairing Procedures for line field synchronization

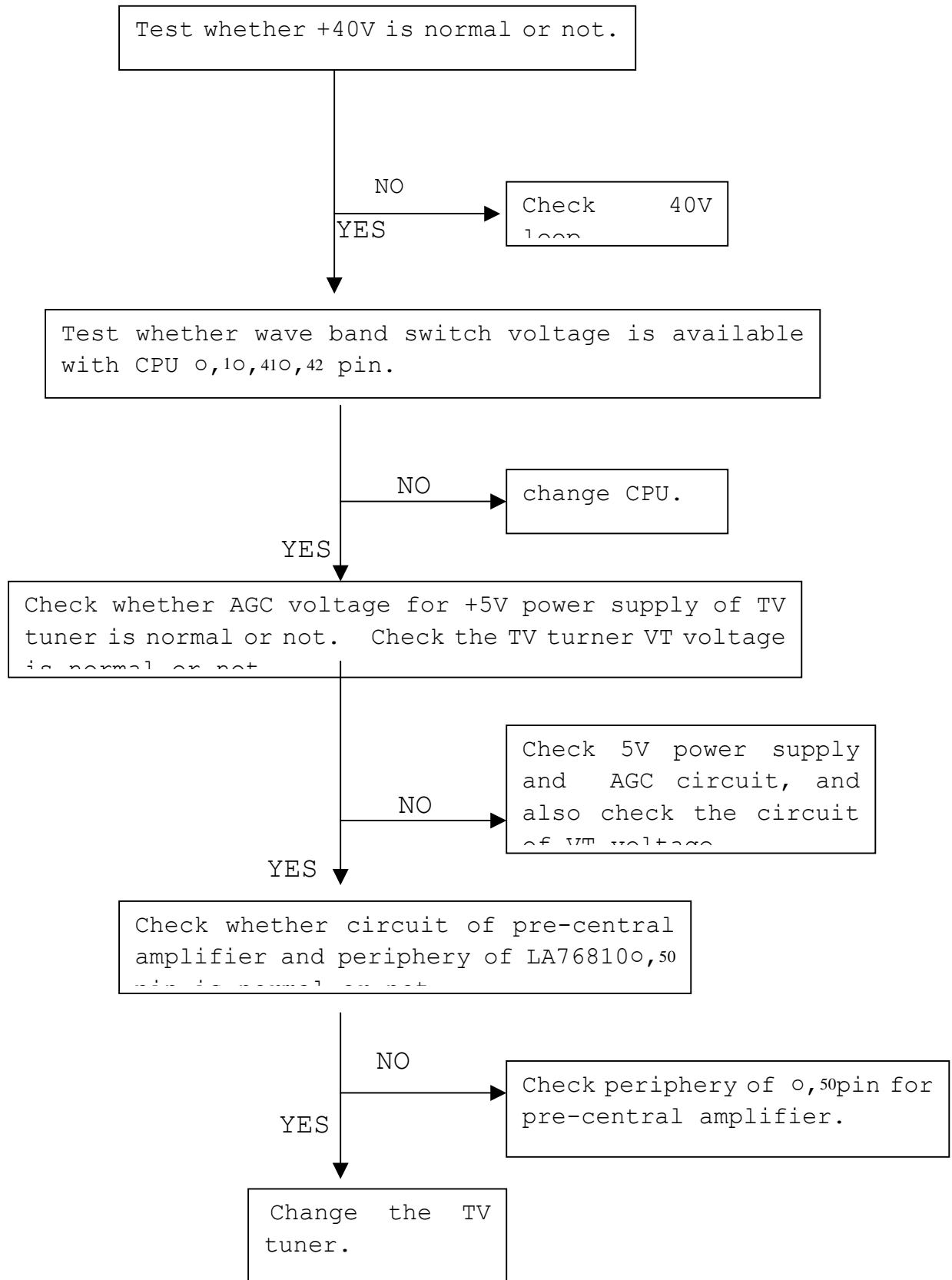


5. repairing procedures for white light.

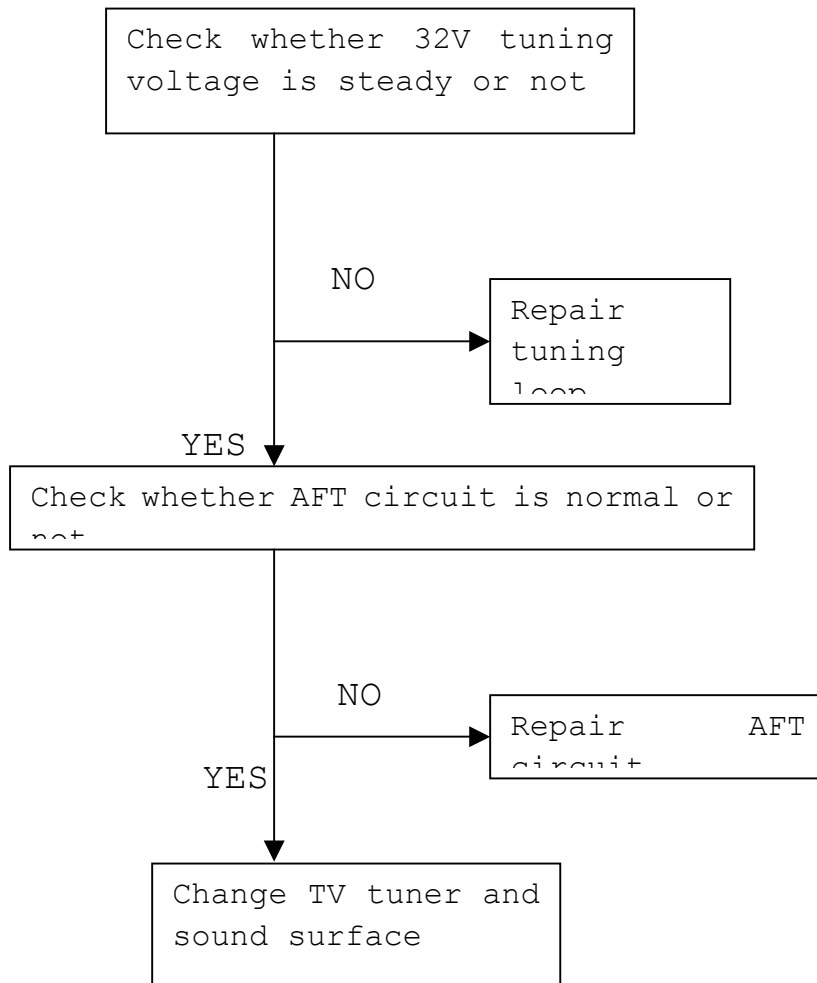
Test whether the switch power supply +5V +8V and -15V is normal or not.



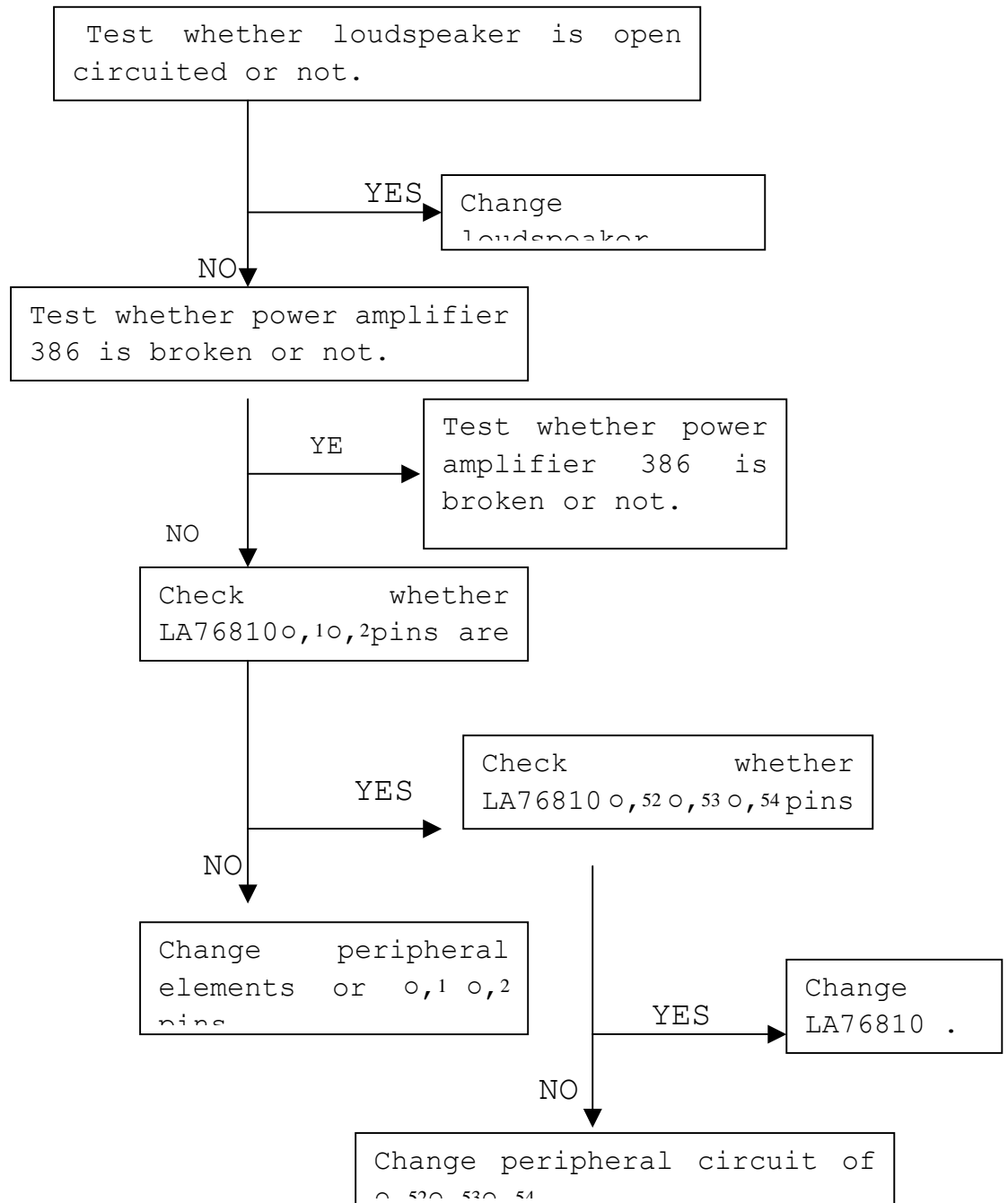
6. NO SIGNAL.



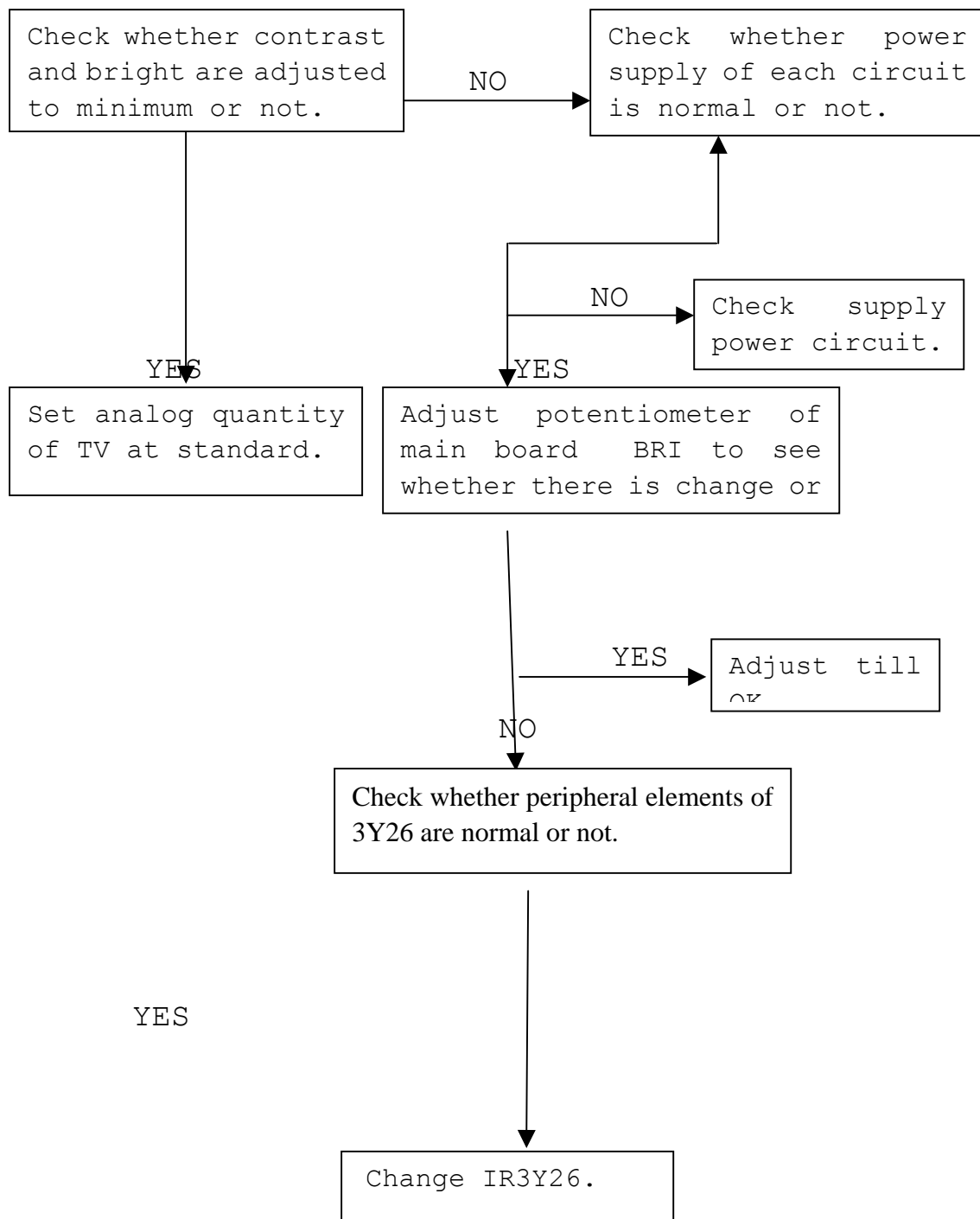
7. Can not store program.



8. With picture, no or low sound and distortion

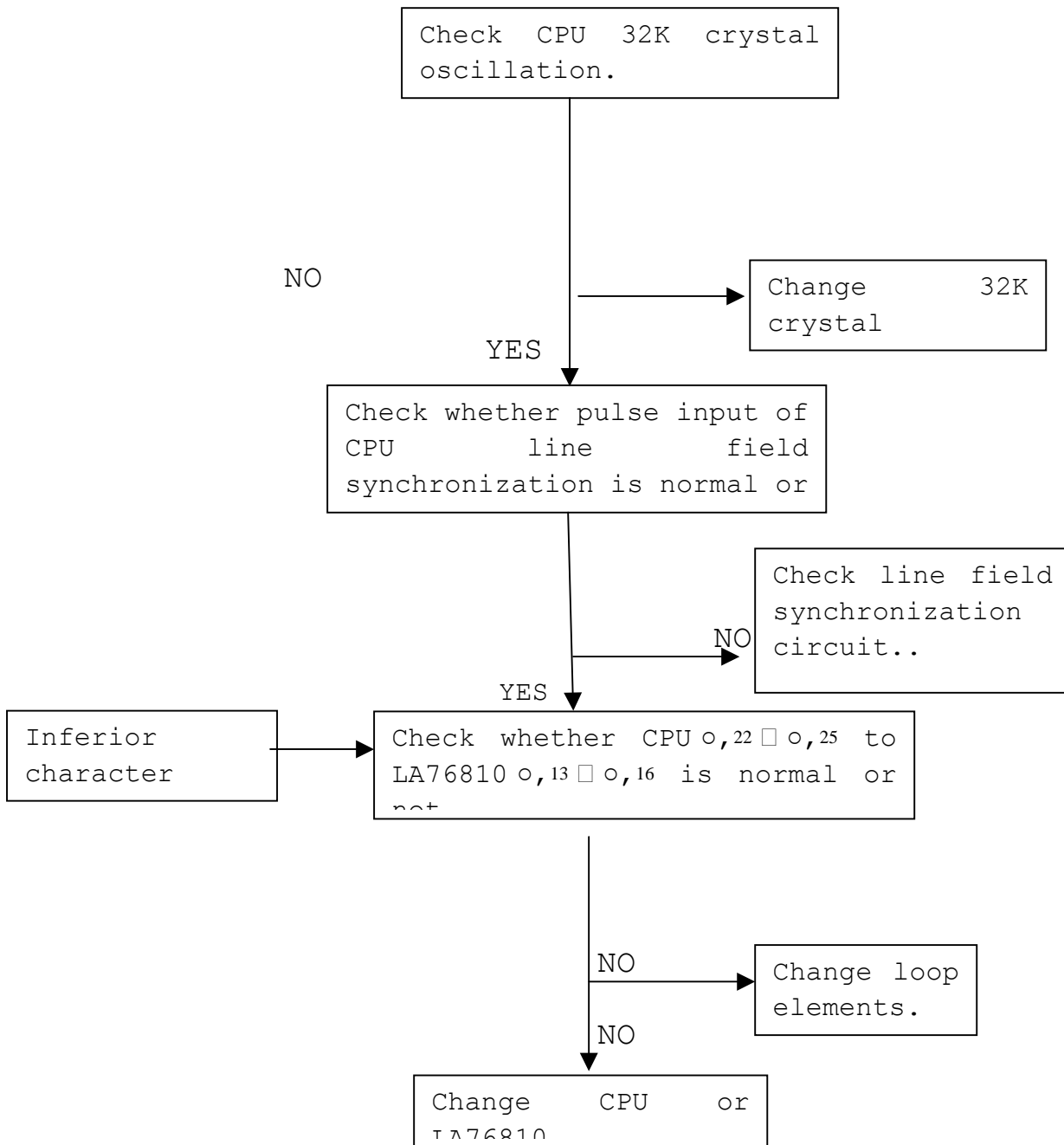


9. Dark light

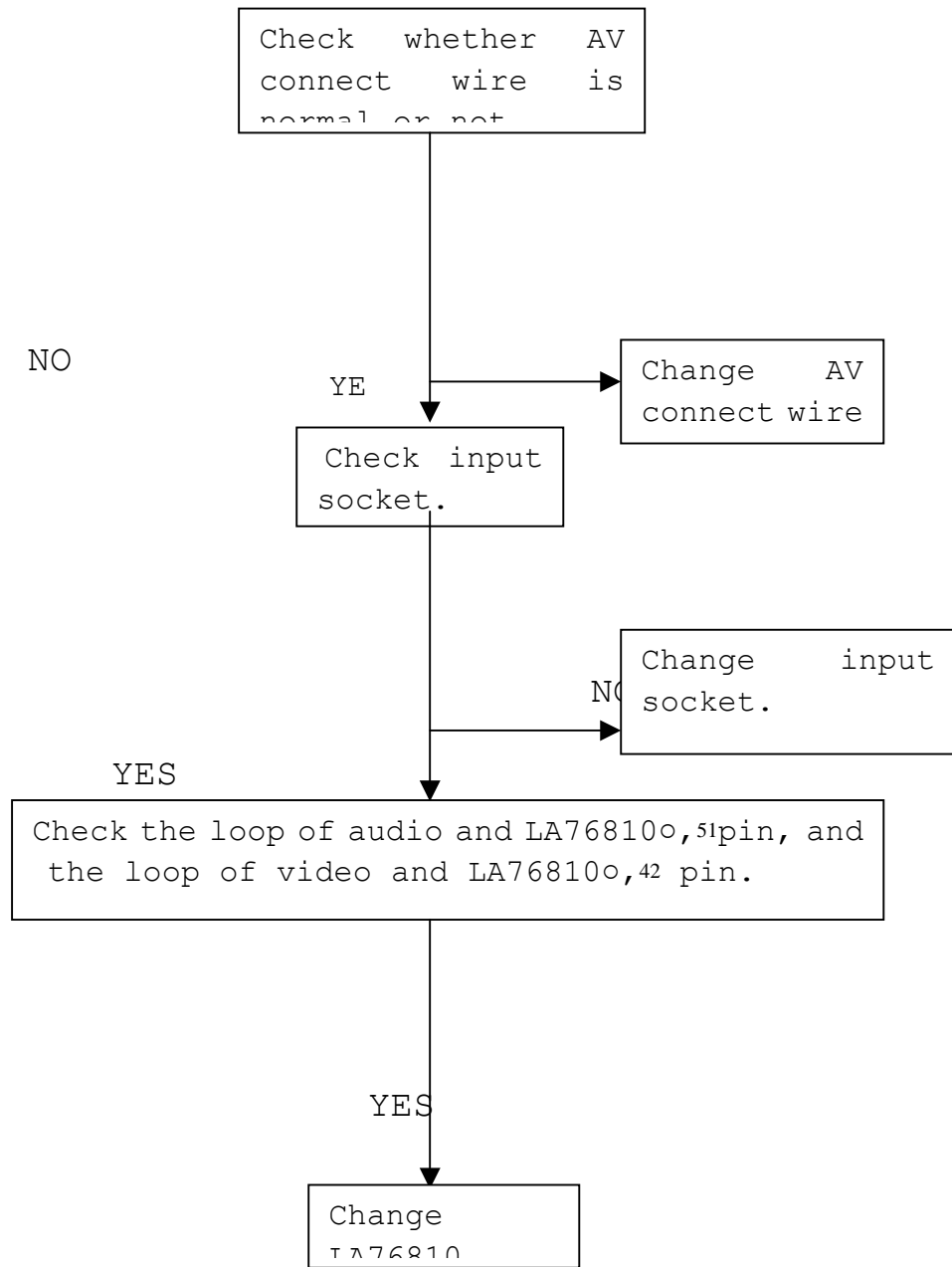


10. with picture, with sound, no character or inferior

color.



11. AV no picture or no sound.



12. No flip vertical/horizontal function

