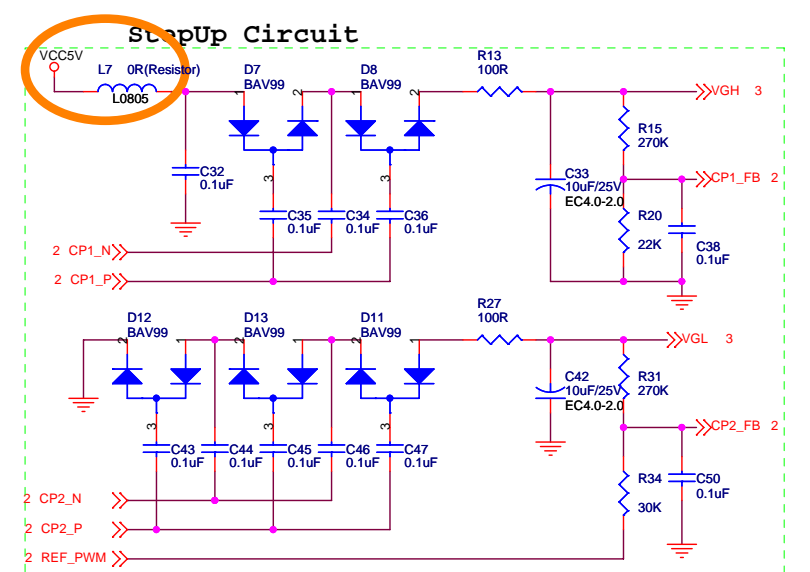
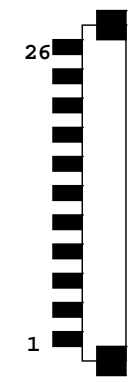
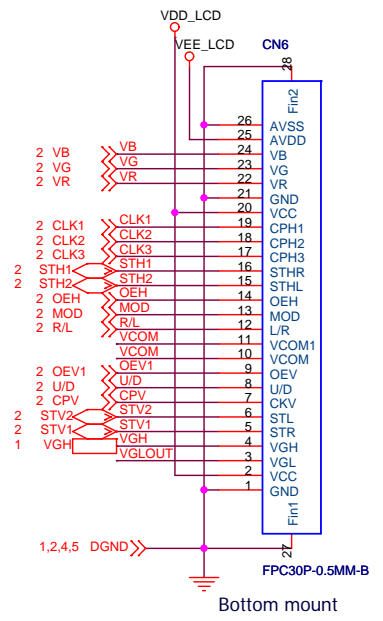
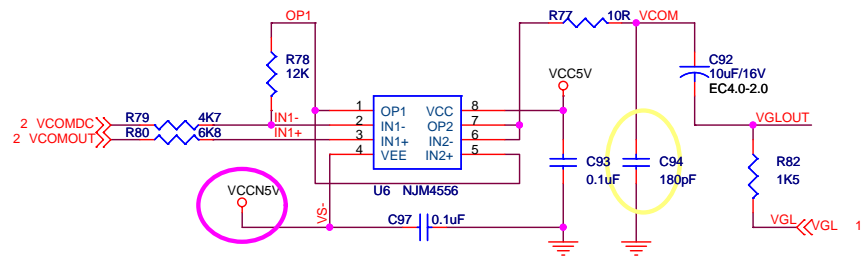
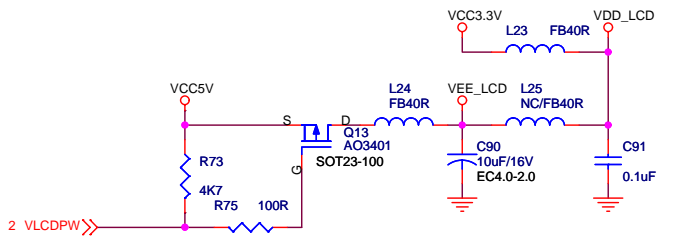


Update 2006-03-20 for CCFL VFB Protection

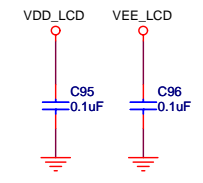


ORG	MStar Semiconductor(Shenzhen),Inc.		
Title	POWER		
Size	Document Number	Rev	A
B	705D-726A-00		
Date:	Wednesday, January 17, 2007	Sheet	1 of 5

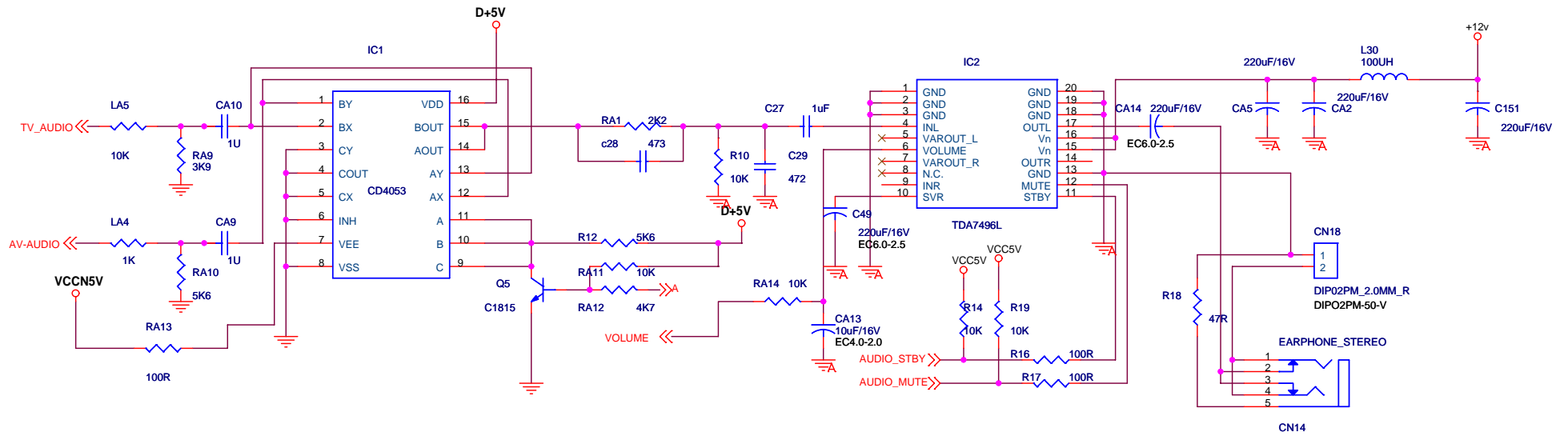





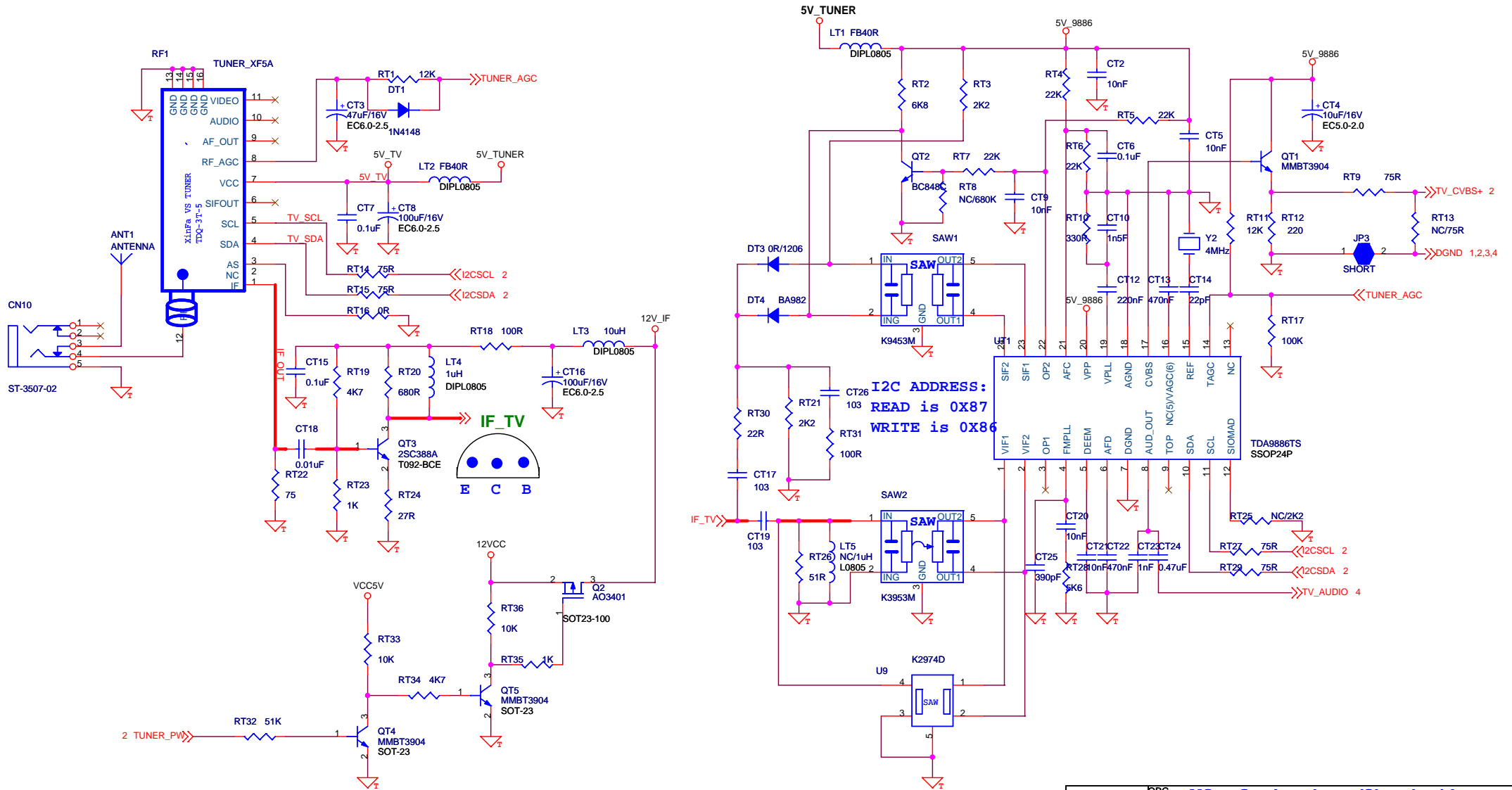
Bottom mount  
**VCOMDC=1.75V**  
**VCOMAV=5.0V**




	ORG	<b>MStar Semiconductor(Shenzhen),Inc.</b>	
	Title	<b>ANALOG PANEL INTERFACE</b>	
Size	Document Number	<b>705D-726A-00</b>	Rev
B			A
Date:	Wednesday, January 17, 2007	Sheet	3 of 5



	ORG	<b>MStar Semiconductor(Shenzhen),Inc.</b>	
	Title	<b>Audio/CD4052&amp;TDA7053A</b>	
Size	Document Number	705D-726A-00	
B			Rev A
Date:	Wednesday, January 17, 2007	Sheet	4 of 5



		ORG	<b>MStar Semiconductor(Shenzhen),Inc.</b>	
		Title	<b>Tuner/XF5A&amp;TDA9886T</b>	
Size	B	Document Number	<b>705D-726A-00</b>	
Date:	Wednesday, January 17, 2007	Sheet	5	of 5
		Rev	A	