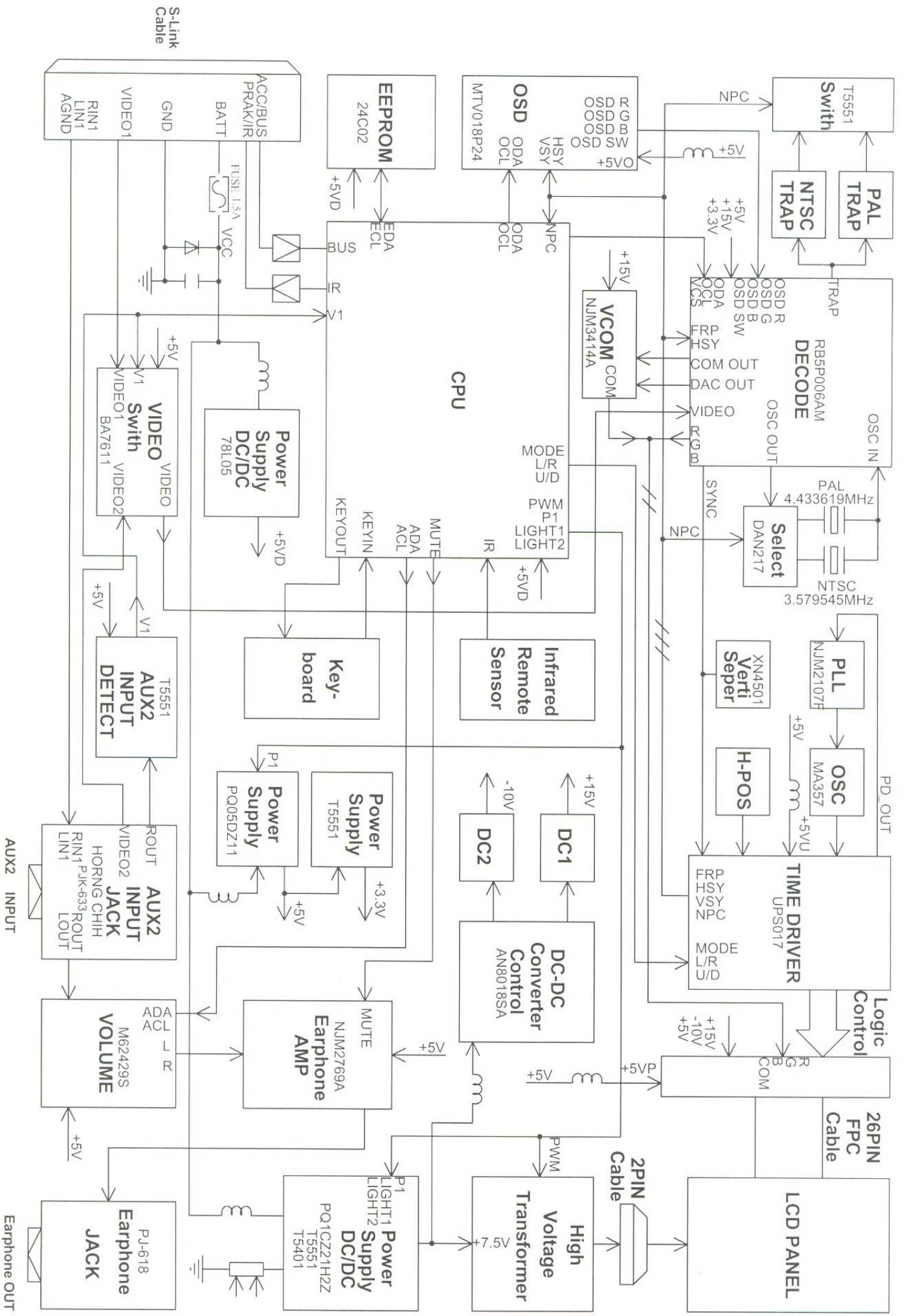


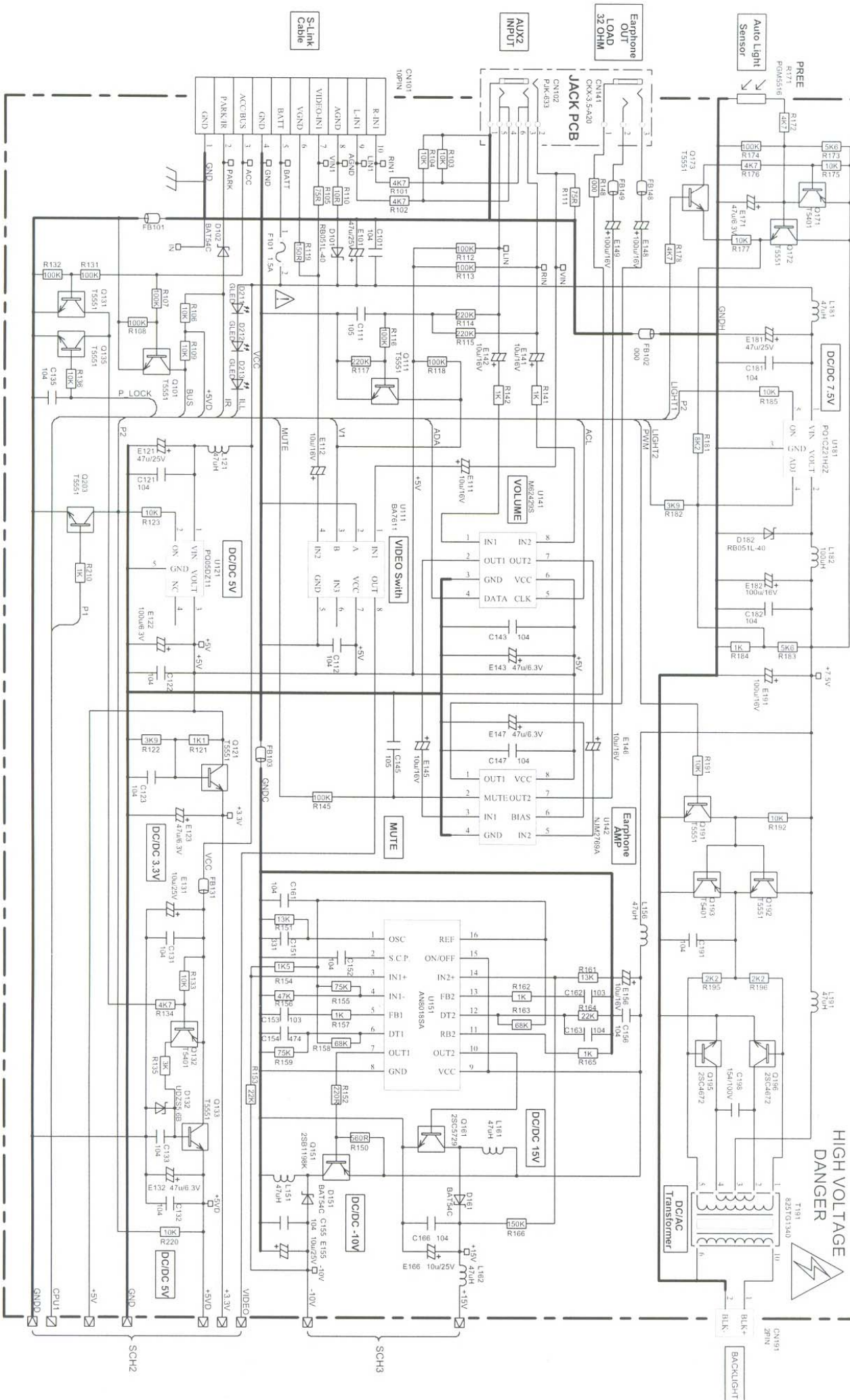
Vieta

SERVICE MANUAL

CTF-72



MAIN PCB - SCH1

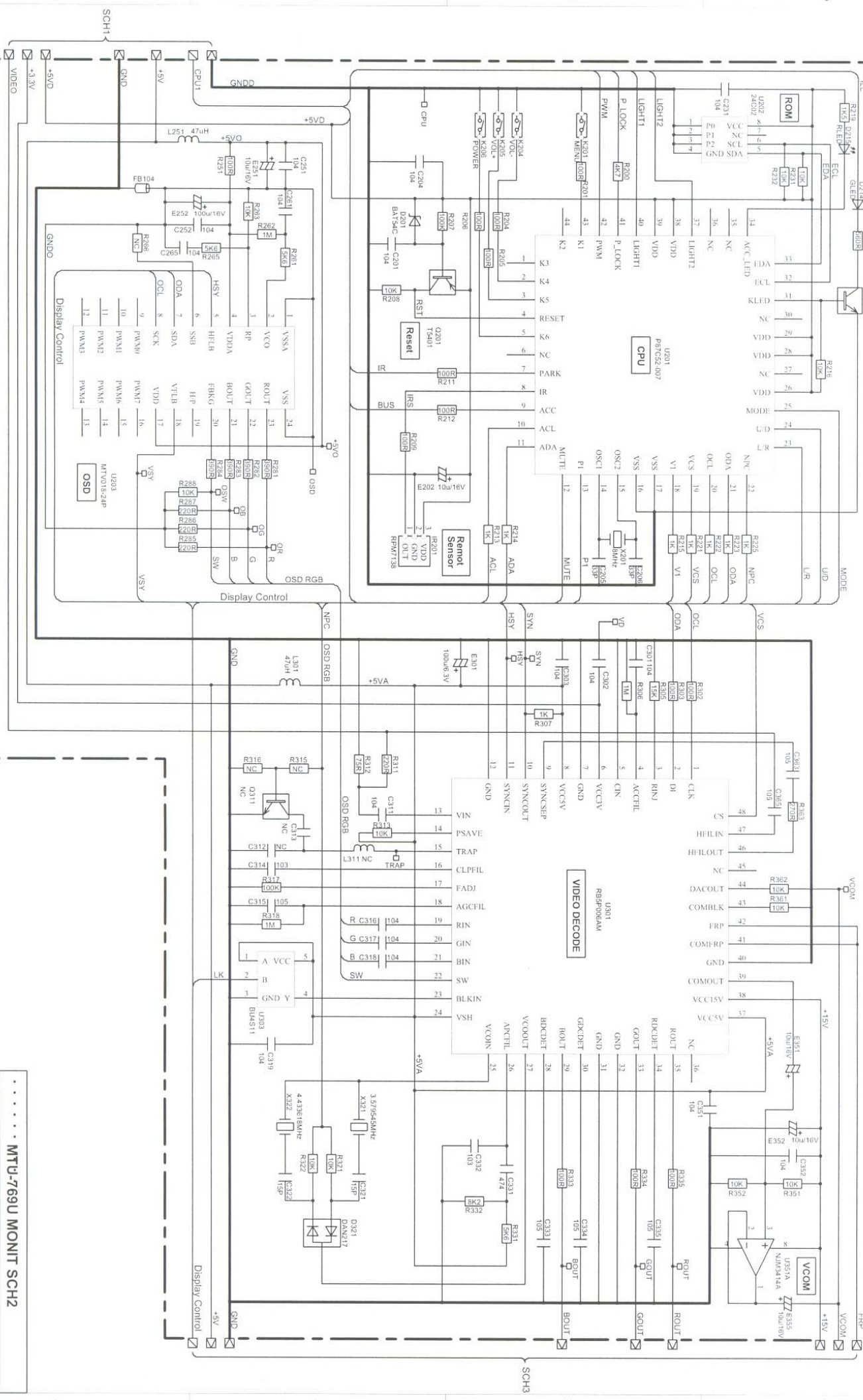


HIGH VOLTAGE
DANGER

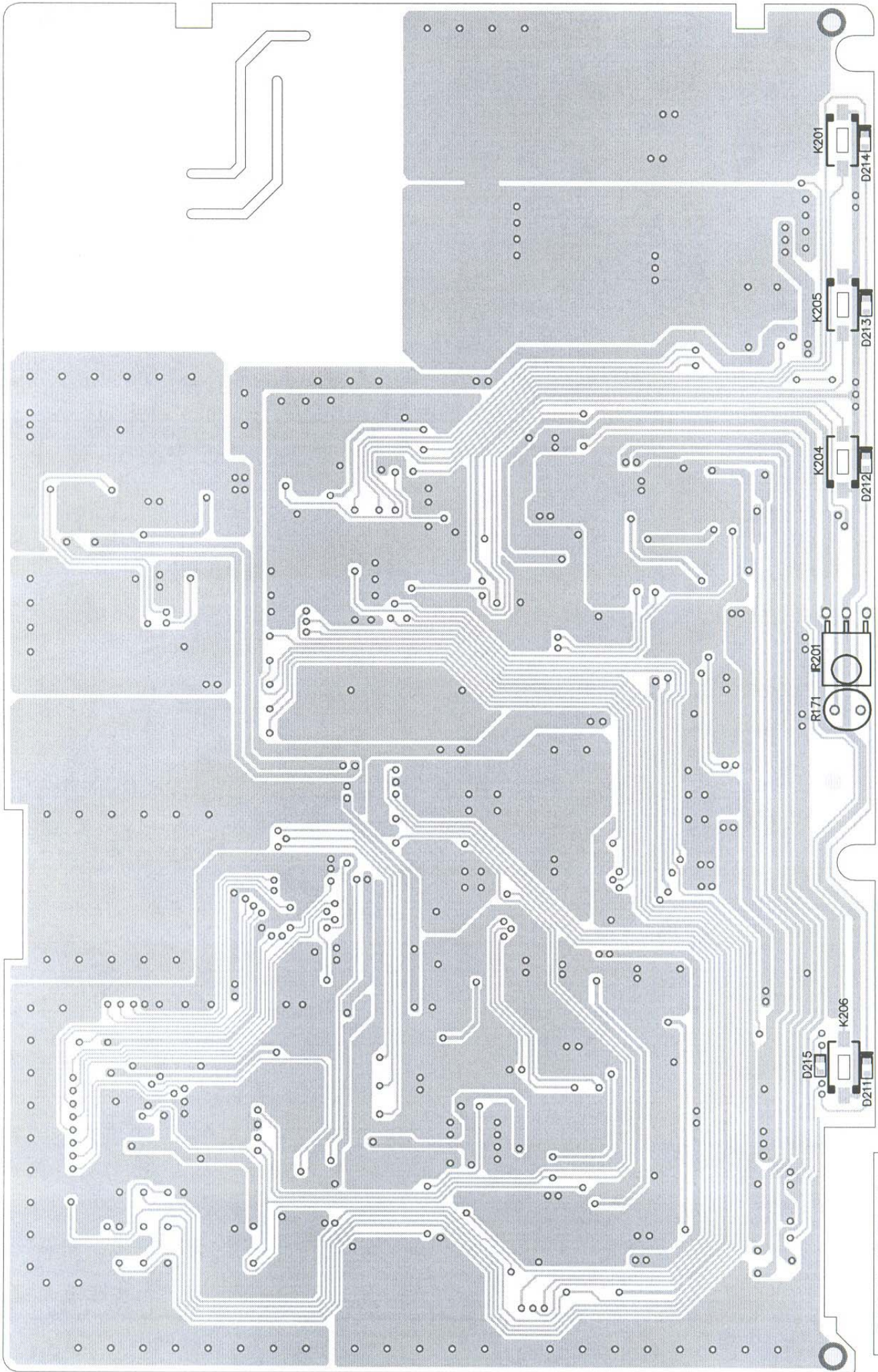


..... MTU-769U MONIT SCH1
..... A3 W0442F769U1A2-1

MAIN PCB -- SCH2



.....	MTU-769U MONIT SCH2
.....	A3
.....	W0442F769U01A2-2



P/N: 350-00769-102
W044UFD2A3