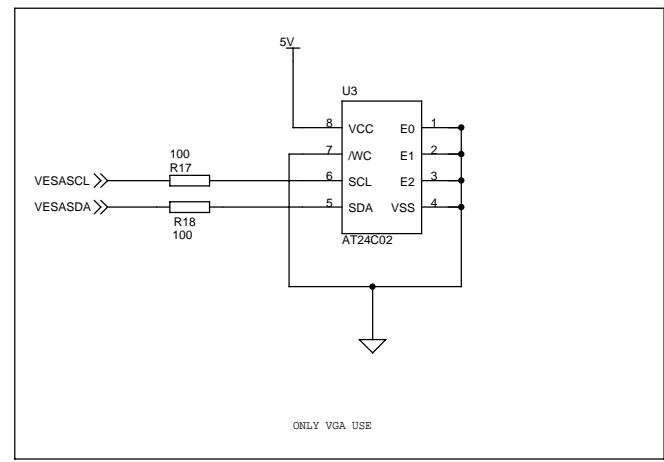
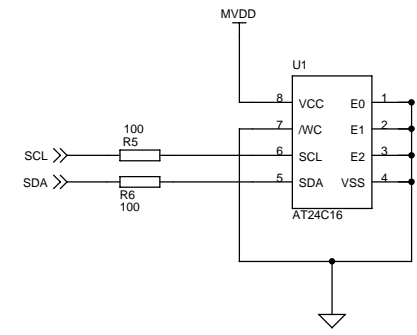
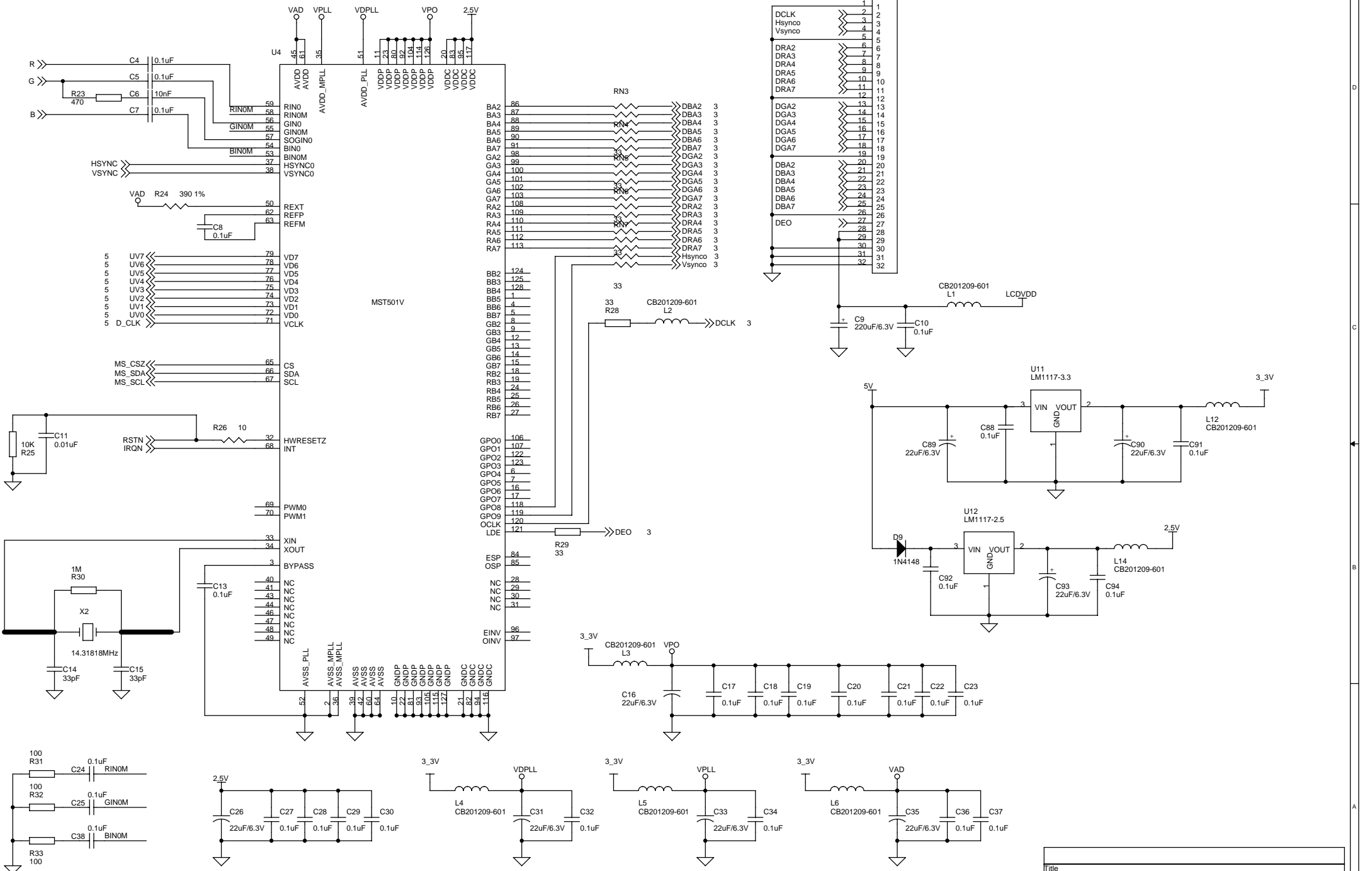


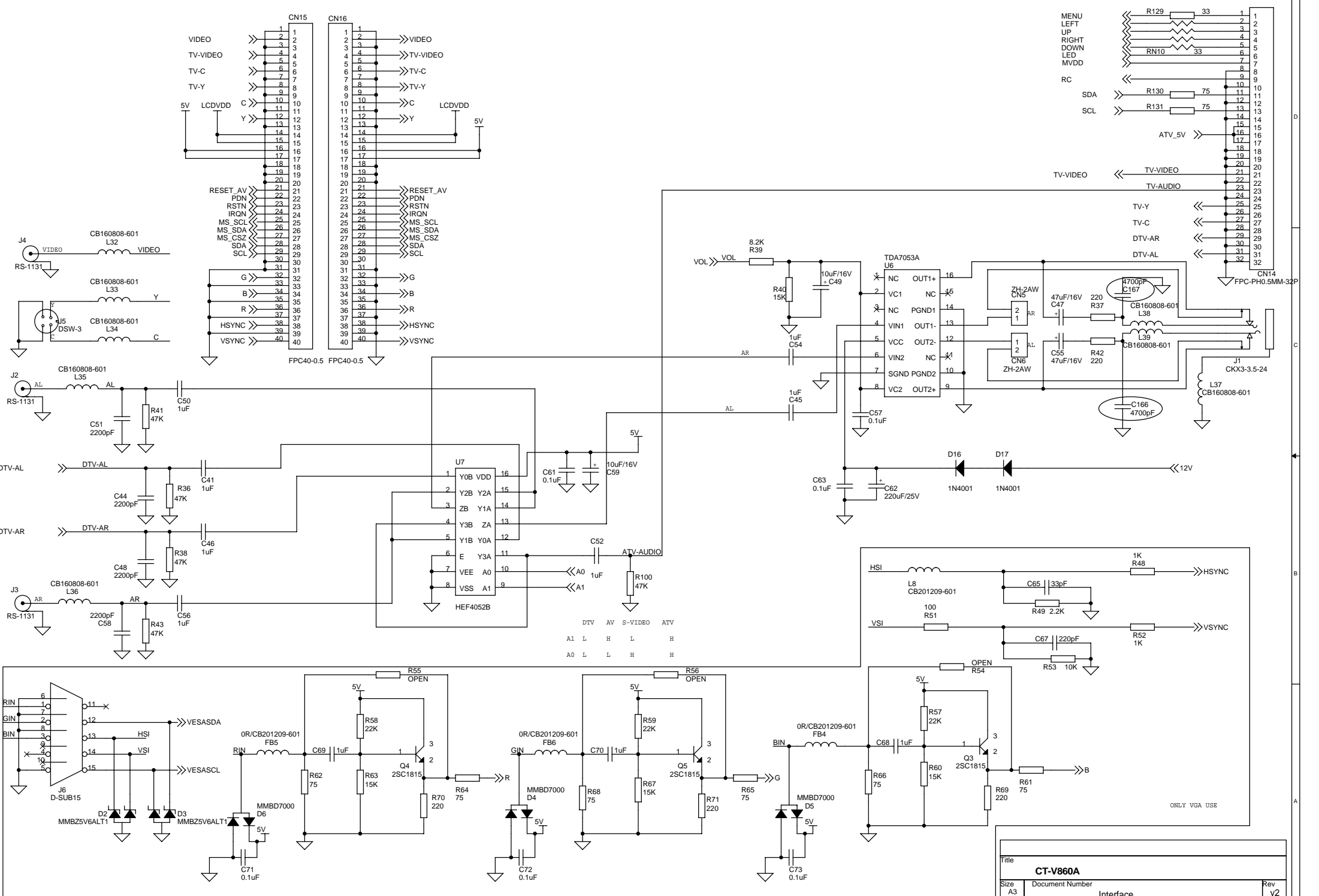
	DTV	AV	S-VIDEO	ATV
A1	L	H	L	H
A0	L	L	H	H



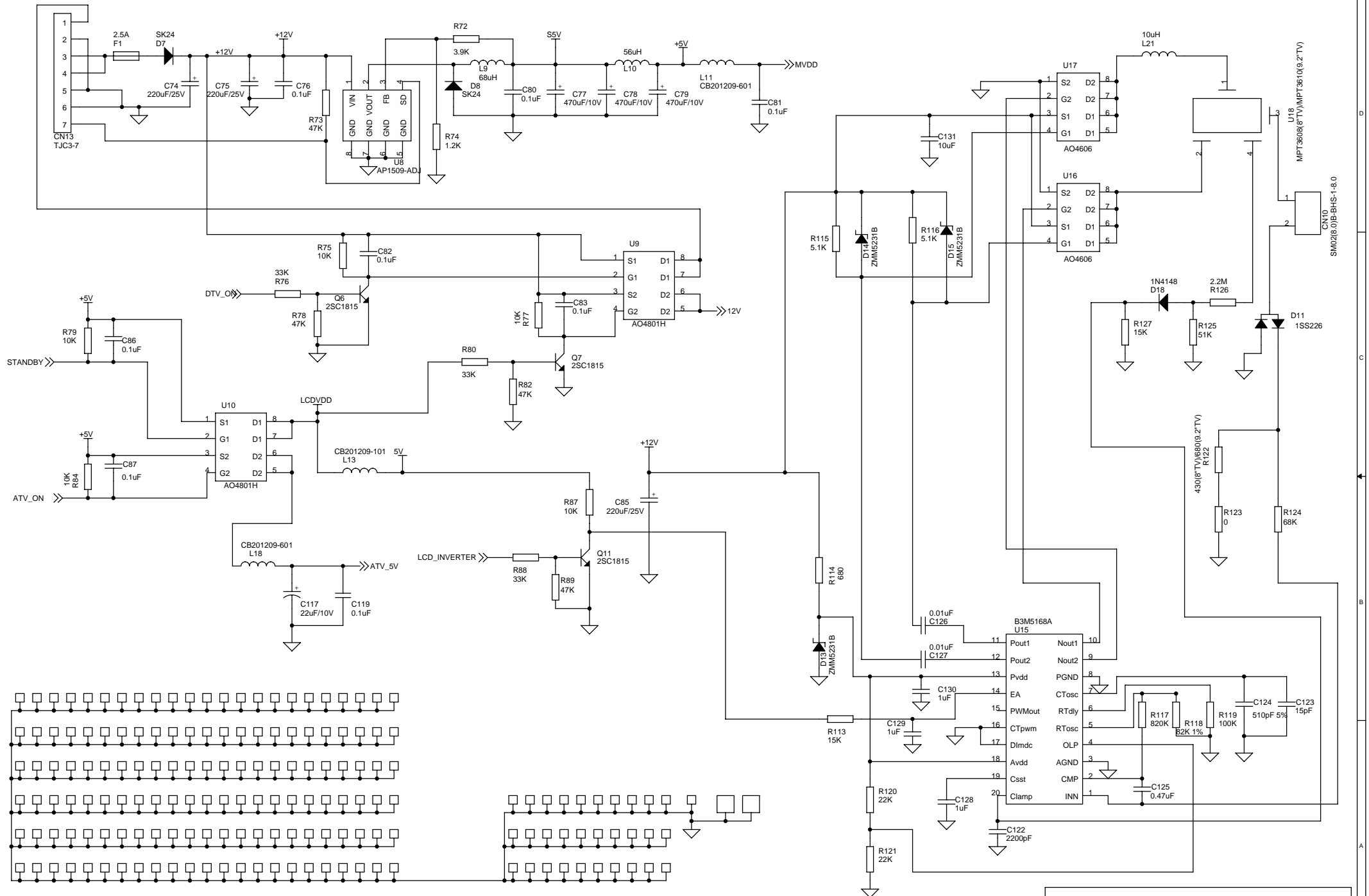
Title			
<b>CT-V860A</b>			
Size	Document Number	MCU	Rev
A3			v2
Date:	Monday, March 06, 2006	Sheet	1 of 5



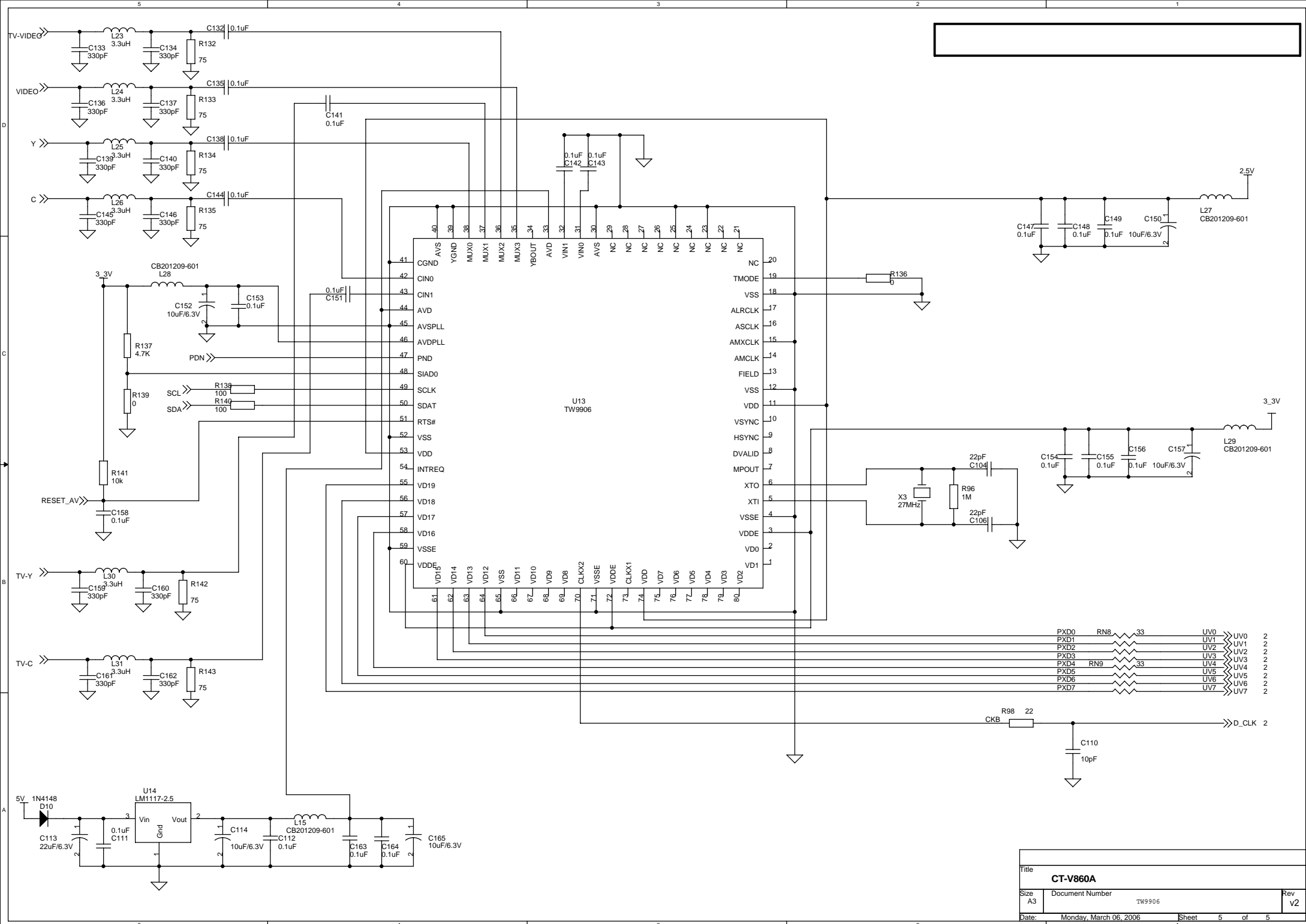
Title		
CT-V860A		
Size	Document Number	Rev
A3	MST501V	v2
Date:	Monday, March 06, 2006	Sheet 2 of 5



Title		
<b>CT-V860A</b>		
Size	Document Number	Rev
A3	Interface	v2
Date:	Monday, March 06, 2006	Sheet 3 of 5



Title			
CT-V860A			
Size	Document Number	Rev	
A3		v2	
Date:	Monday, March 06, 2006	Sheet	4 of 5



Title		
CT-V860A		
Size	Document Number	Rev
A3	TW9906	v2
Date:	Monday, March 06, 2006	Sheet 5 of 5