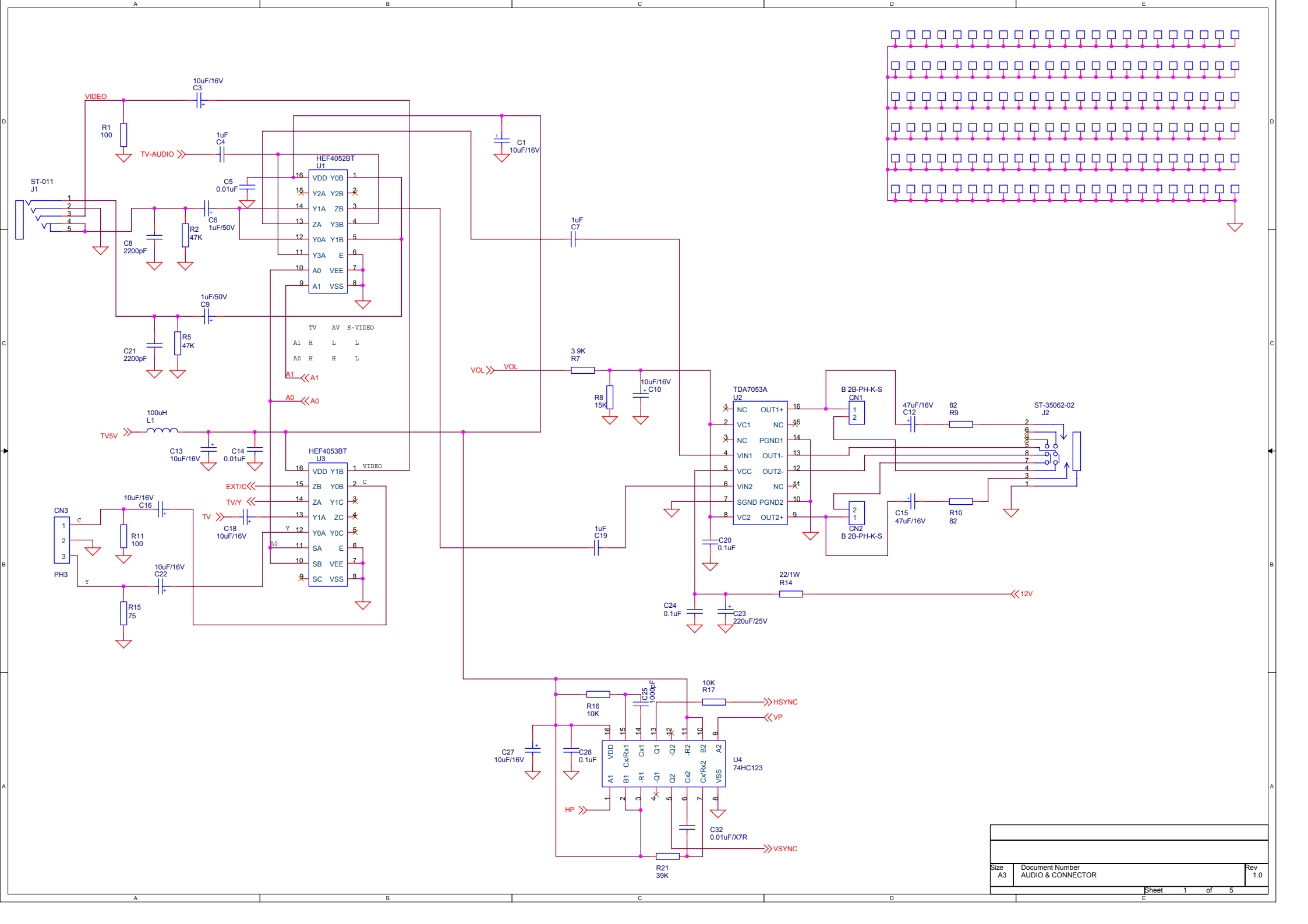
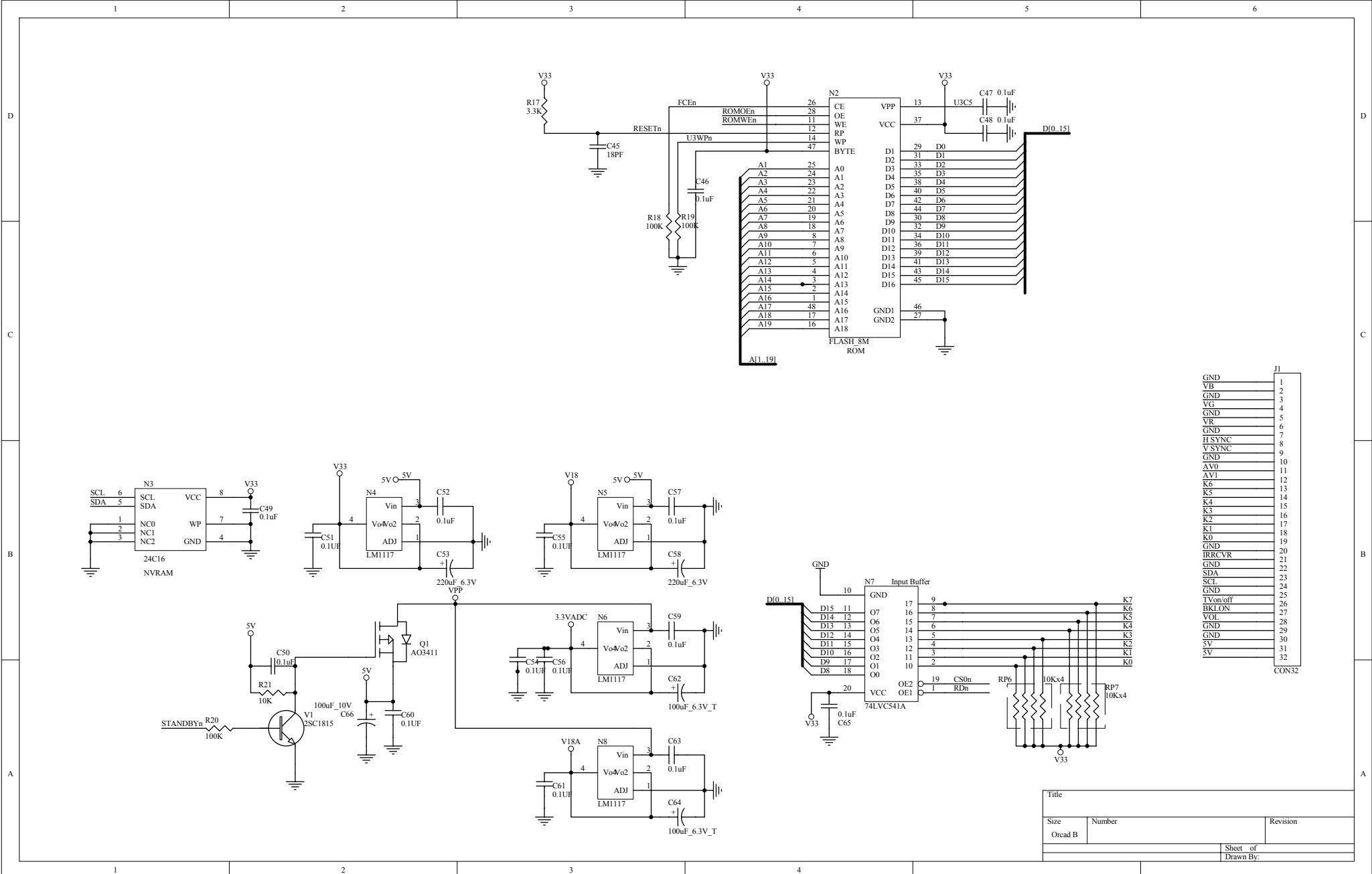


Service Manual

H-LCD800

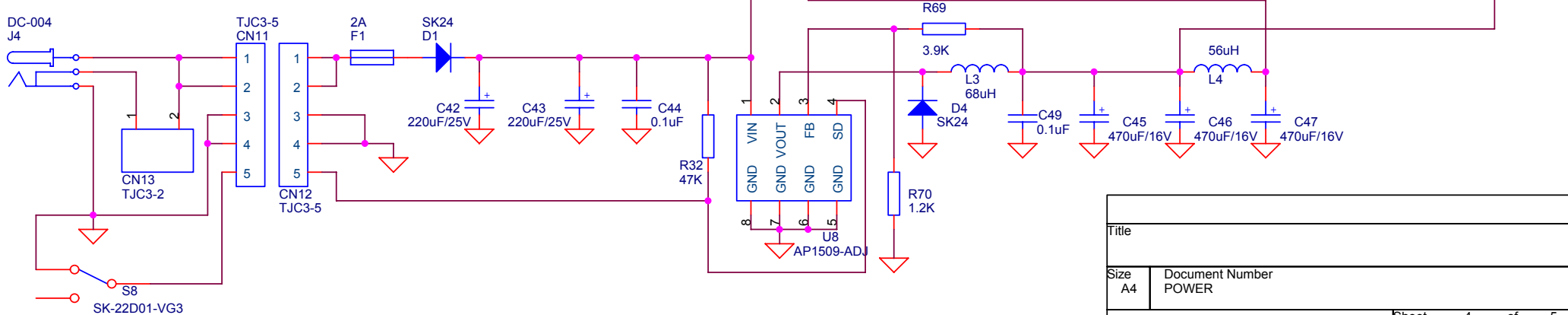
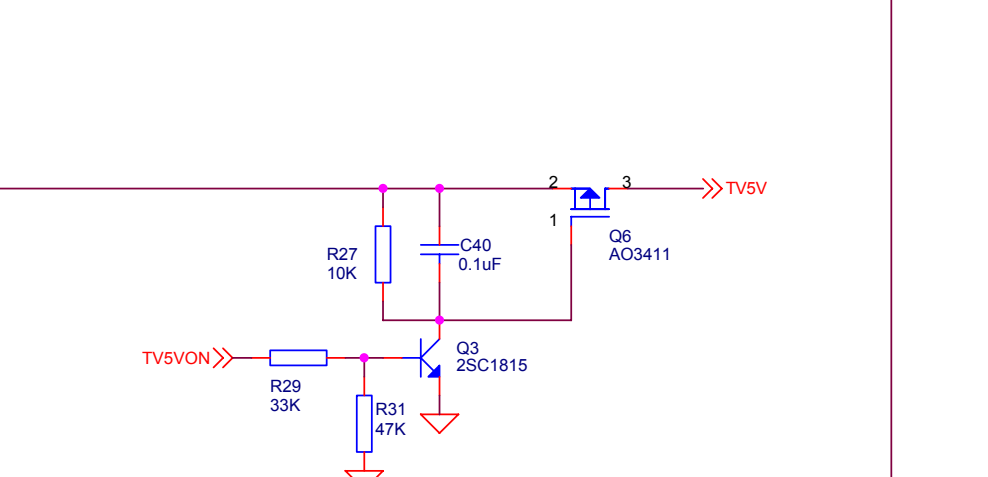
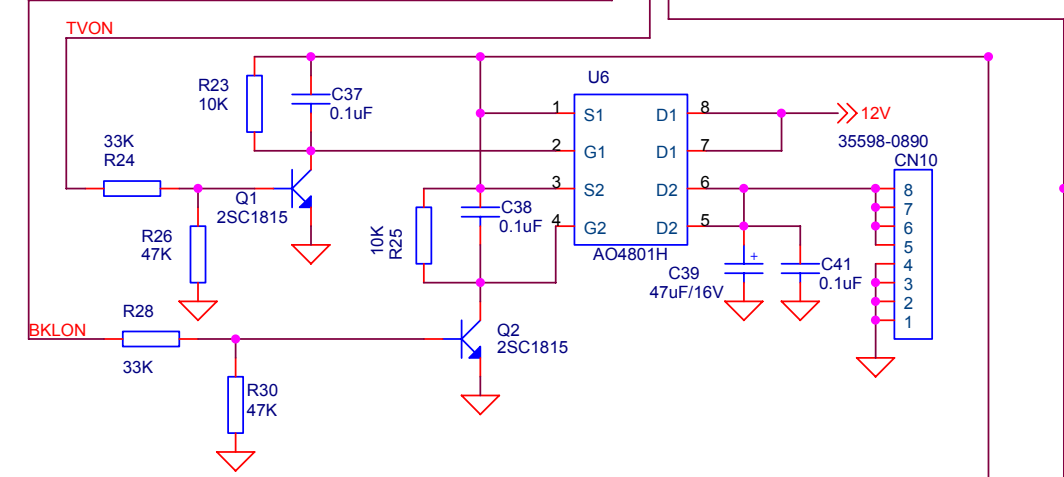
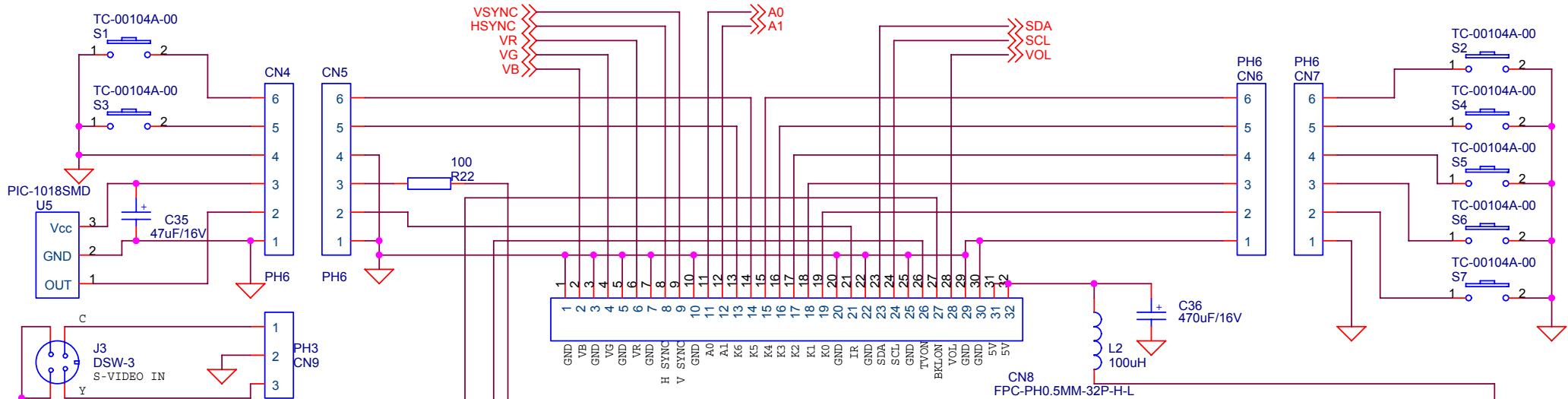


Size A3	Document Number AUDIO & CONNECTOR	Rev 1.0
Sheet 1 of 5		

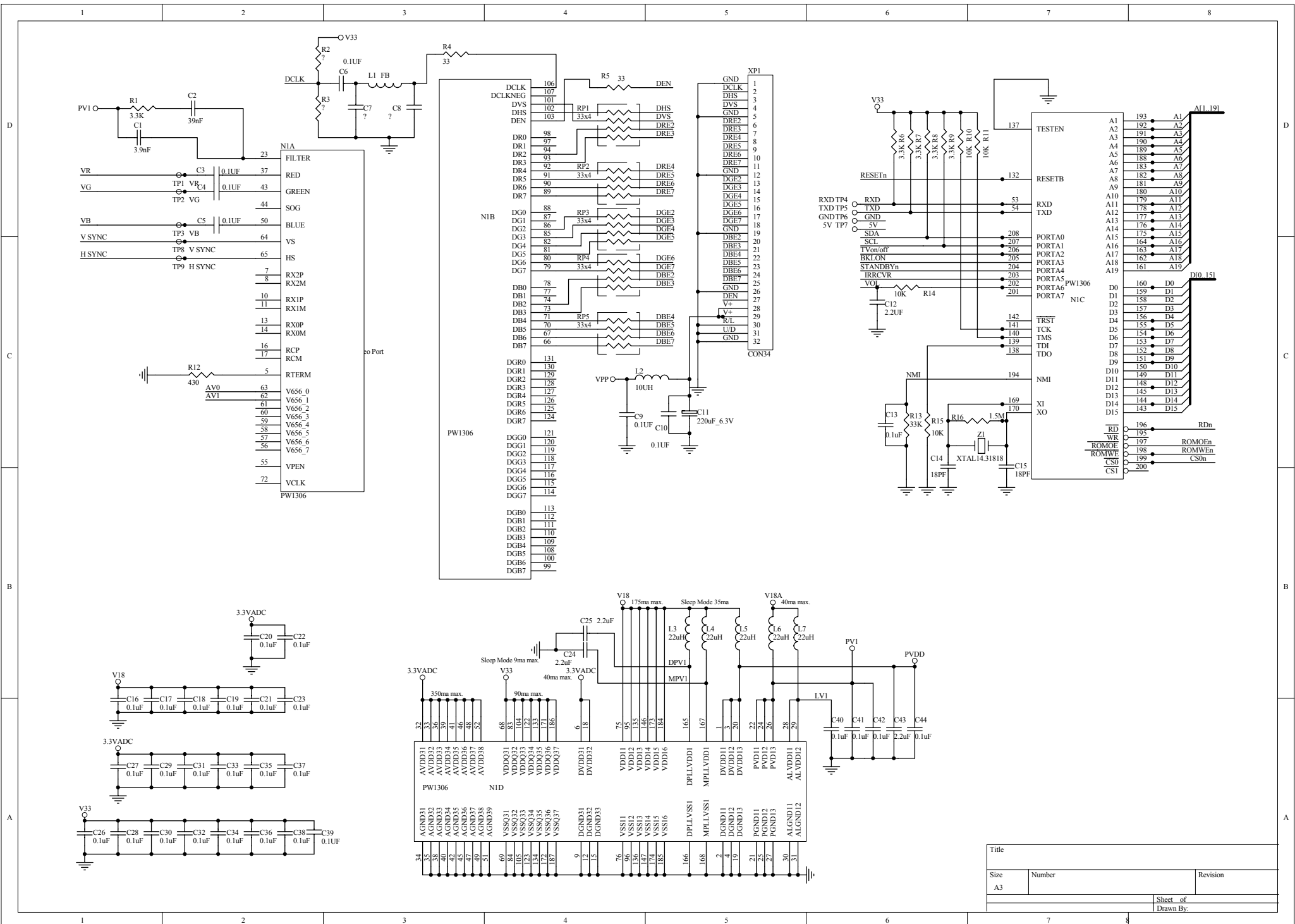


GND	J1
VB	1
GND	2
VG	3
GND	4
VR	5
GND	6
H SYNC	7
V SYNC	8
GND	9
AV0	10
AV1	11
K6	12
K5	13
K4	14
K3	15
K2	16
K1	17
K0	18
GND	19
IRRCVR	20
GND	21
SDA	22
SCL	23
GND	24
TVonoff	25
BKLN	26
VOL	27
GND	28
GND	29
SV	30
SV	31
5V	32
CON32	

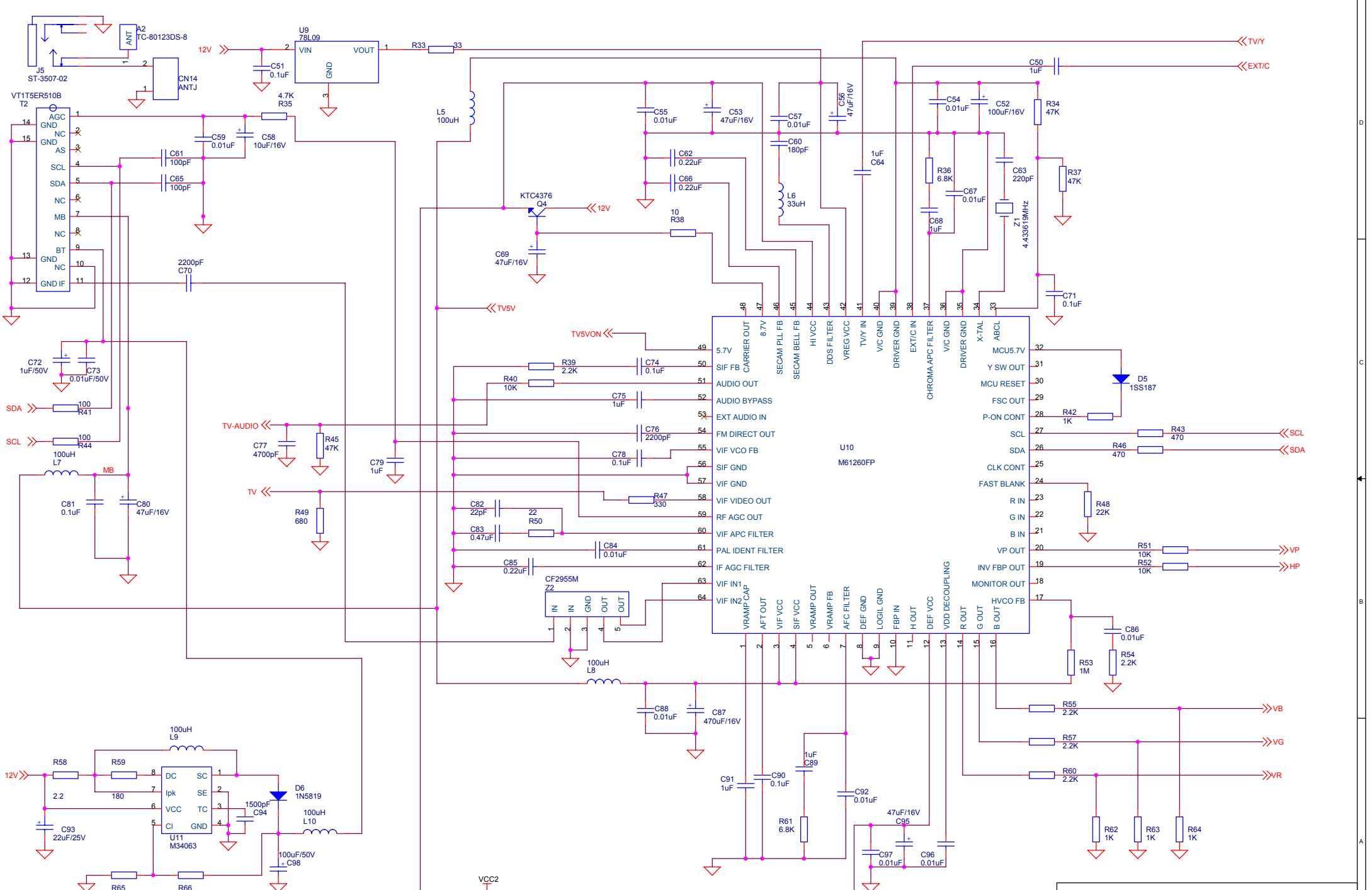
Title		
Size	Number	Revision
Orcad B		
Sheet of		Drawn By:



Title		
Size A4	Document Number POWER	Rev A
Sheet 4 of 5		



Title		
Size	Number	Revision
A3		
Sheet of		Drawn By:



Title		
Size A3	Document Number SIGNAL	Rev A
Sheet 5 of 5		

8" TFT LCD TV**Part List for Main Board****Chip components**

No.	NAME	MODEL	QTY.	POSITION	REMARKS
1	Stick connector	FPC-PH0.5MM-32P-H-L	1	CN8 (stand type connect from left)	
2	capacitor	C-0603-Y-225-P-250-W-T	1	C78	
3	capacitor	C-0805-Y-105-P-250-W-T	10	C4、C7、C19、 C50、C64、C68、 C75、C79、C89、 C91	
4	capacitor	C-0603-Y-474-P-250-W-T	1	C83	
5	capacitor	C-0805-X-224-K-250-W-T	2	C62、C66	
6	capacitor	C-0603-Y-224-P-250-W-T	1	C85	
7	capacitor	C-0603-Y-104-P-250-W-T	14	C20、C24、C28、 C37、C38、C40、 C41、C44、C49、 C51、C67、C71、 C81、C90	
8	capacitor	C-0805-Y-103-P-500-W-T	1	C73	
9	capacitor	C-0603-Y-103-P-250-W-T	1	C32	
10	capacitor	C-0603-Y-103-P-250-W-T	12	C5、C14、C54、 C55、C57、C59、 C84、C86、C88、 C92、C96、C97	
11	capacitor	C-0603-Y-472-P-250-W-T	1	C77	
12	capacitor	C-0603-Y-222-P-250-W-T	4	C8、C21、C70、 C76	
13	capacitor	CC-0603-CG-152-J-250-W-T	1	C94	NPO
14	capacitor	CC-0603-CG-102-J-250-W-T	1	C25	NPO
15	capacitor	CC-0603-CG-221-J-250-W-T	1	C63	NPO
16	capacitor	CC-0603-CG-181-J-250-W-T	1	C60	NPO
17	capacitor	CC-0603-CG-101-J-250-W-T	2	C65、C61	NPO
18	capacitor	CC-0603-CG-220-J-250-W-T	1	C82	NPO
19	chip electrolyse capacitance	220UF/25V	3	C23、C42、C43	
20	chip electrolyse capacitance	470UF/16V	5	C36、C45、C46、 C47、C87	
21	chip electrolyse capacitance	100UF/50V	1	C98	
22	chip electrolyse capacitance	100UF/16V	1	C52	
23	chip electrolyse capacitance	47UF/16V	8	C12、C15、C39、 C53、C56、C69、 C80、C95	
24	chip electrolyse capacitance	10UF/16V	9	C1、C3、C10、 C13、C16、C18、 C22、C27、C58	

25	chip electrolyse capacitance	22UF/25V	1	C93	
26	chip electrolyse capacitance	1UF/50V	3	C6、C9、C72	
27	diode	SK24	2	D1、D4	
28	diode	ISS187	1	D5	
29	diode	IN5819	1	D6	
30	transistor	2SC1815	3	Q1、Q2、Q3	
31	transistor	KTC4376	1	Q4	
32	inductor	68UH (CDH127)	1	L3	
33	resistor	RC-05-K-2R2-J-T	1	R58	
34	resistor	RC-03-K-100-J-T	1	R38	
35	resistor	RC-03-K-220-J-T	1	R50	
36	resistor	RC-03-K-330-J-T	1	R33	
37	resistor	RC-03-K-750-J-T	1	R15	
38	resistor	RC-05-K-820-J-T	2	R9、R10	
39	resistor	RC-03-K-101-J-T	5	R1、R11、R22、 R41、R44	
40	resistor	RC-03-K-181-J-T	1	R59	
41	resistor	RC-03-K-331-J-T	1	R47	
42	resistor	RC-03-K-471-J-T	2	R43、R46	
43	resistor	RC-03-K-681-J-T	1	R49	
44	resistor	RC-03-K-102-J-T	4	R42、R62、R63、 R64	
45	resistor	RC-03-K-122-J-T	1	R70	
46	resistor	RC-03-K-202-J-T	1	R65	
47	resistor	RC-03-K-222-J-T	4	R54、R55、R57、 R60	
48	resistor	RC-03-K-392-J-T	2	R69、R7	
49	resistor	RC-03-K-472-J-T	1	R35	
50	resistor	RC-03-K-682-J-T	2	R36、R61	
51	resistor	RC-03-K-103-J-T	8	R16、R17、R23、 R25、R27、R40、 R51、R52	
52	resistor	RC-03-K-153-J-T	1	R8	
53	resistor	RC-03-K-223-J-T	1	R48	
54	resistor	RC-03-K-333-J-T	3	R24、R28、R29	
55	resistor	RC-03-K-393-J-T	1	R21	
56	resistor	RC-03-K-473-J-T	10	R2、R5、R26、 R30、R31、R32、 R34、R37、R45、 R66	
57	resistor	RC-03-K-105-J-T	1	R53	
58	IC	HEF4052BT	1	U1	
59	IC	HEF4053BT	1	U3	

60	IC	74HC123D	1	U4	
61	IC	AO4801H	1	U6	
62	IC	AP1509-ADJ	1	U8	
63	IC	GM78L09	1	U9	
64	IC	M61260FP	1	U10	
65	IC	GM34063	1	U11	
66	IC	AO3411	1	Q6	

Stick Components

No.	NAME	MODEL	QTY.	POSITION	REMARK
1	stick connector	PH-2A	2	CN1、CN2	
2	stick connector	PH-3A	1	CN3	
3	stick connector	PH-3AW	1	CN9	
4	stick connector	PH-6A	2	CN5、CN6	
5	stick connector	PH-6AW	2	CN4、CN7	
6	stick connector	JDTJC3-5A	1	CN12	
8	electrolyse capacitor	47UF/16V (CD11C)	1	C35	
8	electrolyse capacitor	4.7UF/16V (CD11C)	1		
9	socket	ST-011	1	J1	
10	socket	ST-35062-02	1	J2	
11	socket	DSW-3	1	J3	
12	power socket	DC-004	1	J4	
13	socket	ST-3507-02	1	J5	
14	inductor	AL0410-101K	1	L10	
15	inductor	100uH/300mA (φ4)	1	L1	
16	inductor	100UH (LCH895)	1	L4	
17	inductor	56UH (LCH895)	1	L2	
18	inductor	100UH (LCH664)	3	L5、L7、L8	
19	inductor	AL0410-330K	1	L6	
20	inductor	100UH (LCR-875D)	1	L9	
21	resistor	10/2W	1	R14	
22	fuze	2A (2AG-0229 002)	1	F1	
23	button	TC-00104A-00	7	S1、S2、S3、S4、 S5、S6、S7	
24	switch	SK-22DO1-VG3	1	S8	
25	adjustor	VT1T5ER51OB	1	T2	
26	sound filter	CF2955M	1	Z2	
27	sensor	PCI-1018SMD	1	U5	
28	IC	TDA7053A	1	U2	
29	crystal	4.433619(HC-49/T)	1	Z1	
30	PCB board	ZD7 820 198 VER2.0	1		

31	PCB board	ZD7 820 199 VER2.0	1		
32	PCB board	ZD7 820 200 VER2.0	1		
33	PCB board	ZD7 820 201 VER2.0	1		

Cable

No.	NAME	MODEL	QTY.	POSITION	REMARK
1	double sides connector with line	AWG26# PH6-160mm(different s	2		
2	double sides connector with line	AWG26# PH3-140mm(same side	1		
3	single side connector with line	AWG26# PH2-170mm	2		
4	single side connector with line	AWG24# TJC3-5Y-80mm	1		
5	flat cable connector	FPC0.5-32-140mm(same side)	1		
6	flat cable connector	FPC0.5-32-95mm(same side)	1		
7	RF connector	75 ohm shield line with RCA plu	1		
8	speaker	4020-16Ω-1W	2		
9	LCD	LQ080V3DG01	1		
10	high-voltage drive board	1#	1		
		2#			
		3#			
		4#			
		5#			
11	red leader	24#-100mm	1		connect main board and high-voltage
12	black leader	24#-100mm	1		
13	aluminum foil floss	20×10×8.5	1		
14	aluminum foil	30×130	1		
15	aluminum foil	50×110	1		
16	aluminum foil	30×180	1		

8" TFT LCD TV

Part List for Digital Drive Board

Chip component for digital drive board

No.	Name	Model	Qty.	Position	Remark
1	stick connector	0.5S-32PWB	2	J1、XP1	
2	capacitor	C-0603-Y-225-P-250-W-T	4	C12、C24、C25、 C43	
3	capacitor	C-0402-Y-104-P-250-W-T	49	C3、C4、C5、C6、 C9、C10、C13、 C16、C17、C18、 C19、C20、C21、 C22、C23、C26、 C27、C28、C29、 C30、C31、C32、 C33、C34、C35、 C36、C37、C38、 C39、C40、C41、 C42、C44、C46、 C47、C48、C49 C50、C51、C52、 C54、C55、C56、 C57、C59、C60、 C61、C63、C65	
4	capacitor	C-0603-Y-393-P-250-W-T	1	C2	
5	capacitor	C-0603-Y-392-P-250-W-T	1	C1	
6	capacitor	C-0603-Y-180-P-250-W-T	3	C14、C15、C45	
7	network resistor	CRN16084R-330-J-T	5	RP1、RP2、RP3、 RP4、RP5	
8	network resistor	CRN16084R-103-J-T	2	RP6、RP7	
9	resistor	RC-03-K-330-J-T	2	R4、R5	
10	resistor	RC-03-K-430-J-T	1	R12	
11	resistor	RC-03-K-332-J-T	6	R1、R6、R7、R8、 R9、R17	
12	resistor	RC-03-K-103-J-T	5	R10、R11、R14、 R15、R21	
13	resistor	RC-03-K-333-J-T	1	R13	
14	resistor	RC-03-K-104-J-T	3	R18、R19、R20	
15	resistor	RC-03-K-105-J-T	1	R16	
16	transistor	2SC1815	1	V1	

17	resistor	RC-03-K-000-J-T	1	L1	
18	inductor	SW453232-100K	1	L2	
19	inductor	CI201212-120	5	L3、 L4、 L5、 L6、 L7	
20	tantalum capacitor	100UF/10V/D type	3	C62、 C64、 C66	
21	tantalum capacitor	220UF/6.3V/D type	3	C11、 C53、 C58	
22	crystal	14.31818(HC-49SMD)	1	Z1	(H=2.8mm)
23	IC	24C16	1	N3	
24	IC	74LV541A (SSOP20)	1	N7	
25	IC	A03411	1	Q1	
26	IC	AM29LV800BT-90EC	1	N2	use after burring and noting
27	IC	LM1117-1.8V	2	N5、 N8	
28	IC	LM1117-3.3V	2	N4、 N6	
29	IC	PW-1306	1	N1	
30	PCB board	ZD7 820 197 V1.0	1		

8" TFT LCD TV-Remote Control Part List

Chip component

No.	Name	Model	Qty.	position	Remarks
1	PCB board	ZD7.820.169 VER1.0	1		
2	resistor	RC-03-K-1R0-J-T	1	R2	
3	resistor	RC-03-K-102-J-T	1	R1	
4	capacitor	C-0603-Y-221-P-250-W-T	2	C1、C2	
5	tantalum capacitor	CA45-334-B-J	2	C3、C4	
6	transistor	2SC1815	1	Q1	
7	IC	SC6122-001	1	U1	

stick component

1	IR diode	IE-0320HP	1	D1	
2	crystal	455E	1	Z1	
3	remote pole	same as 018 remote	1	1set	

hardware and plastic

1	screw	1.4*4K/M	2	fix to middle	
2	screw	1.7*5K/M	4	fix to surrounding positions	
3	front plastic case	same as PMP	1		
4	front back case	same as PMP	1		
5	battery casing		1		

packing component

1	button battery	CR2025	1		
2	insulator	same as 018 remote	1		
3	conductor colloid	RM-830	1		new
4	PVC plate	RM-830	1		new
5	remote packing bag	131×71mm	1		new