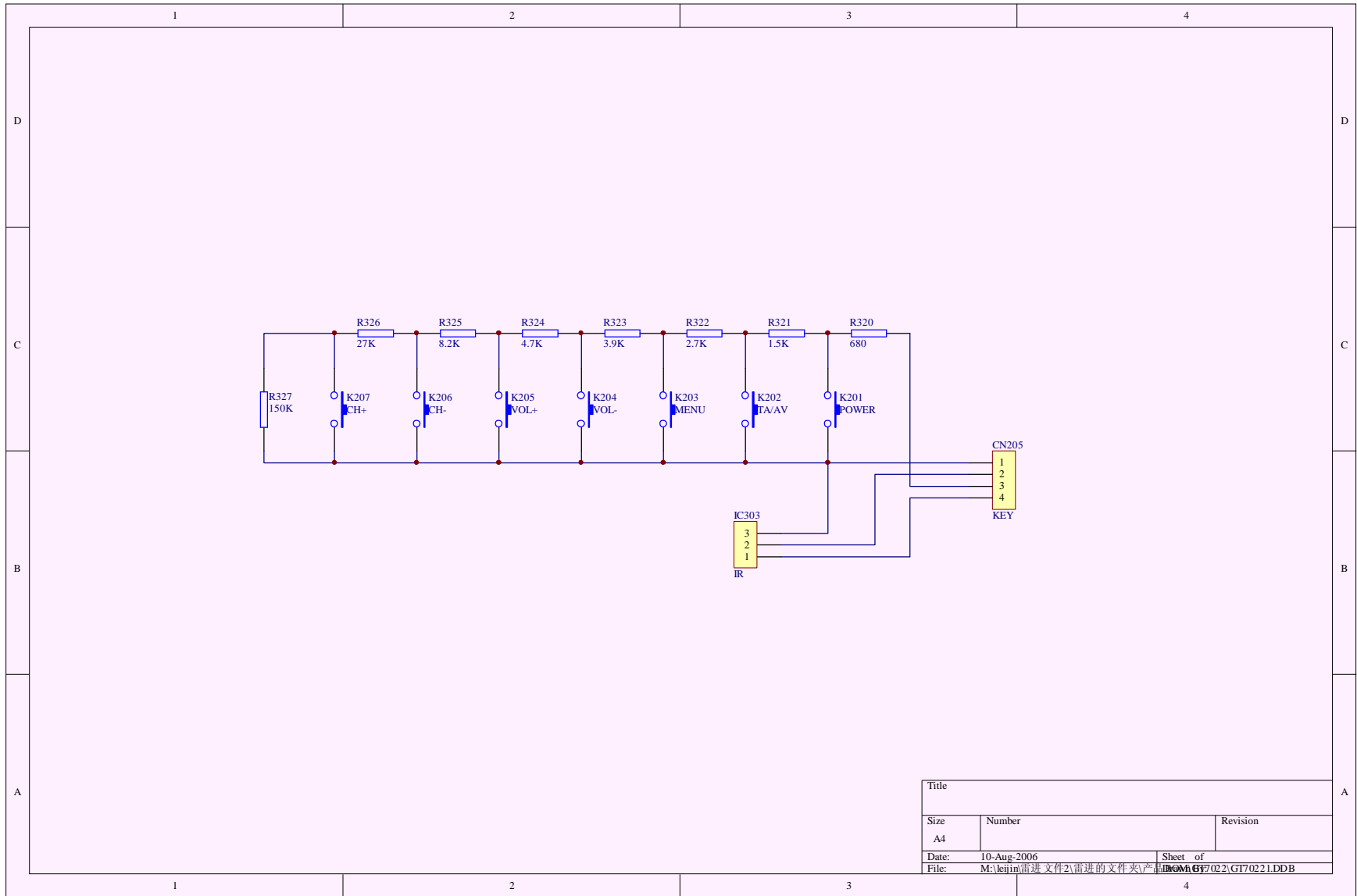


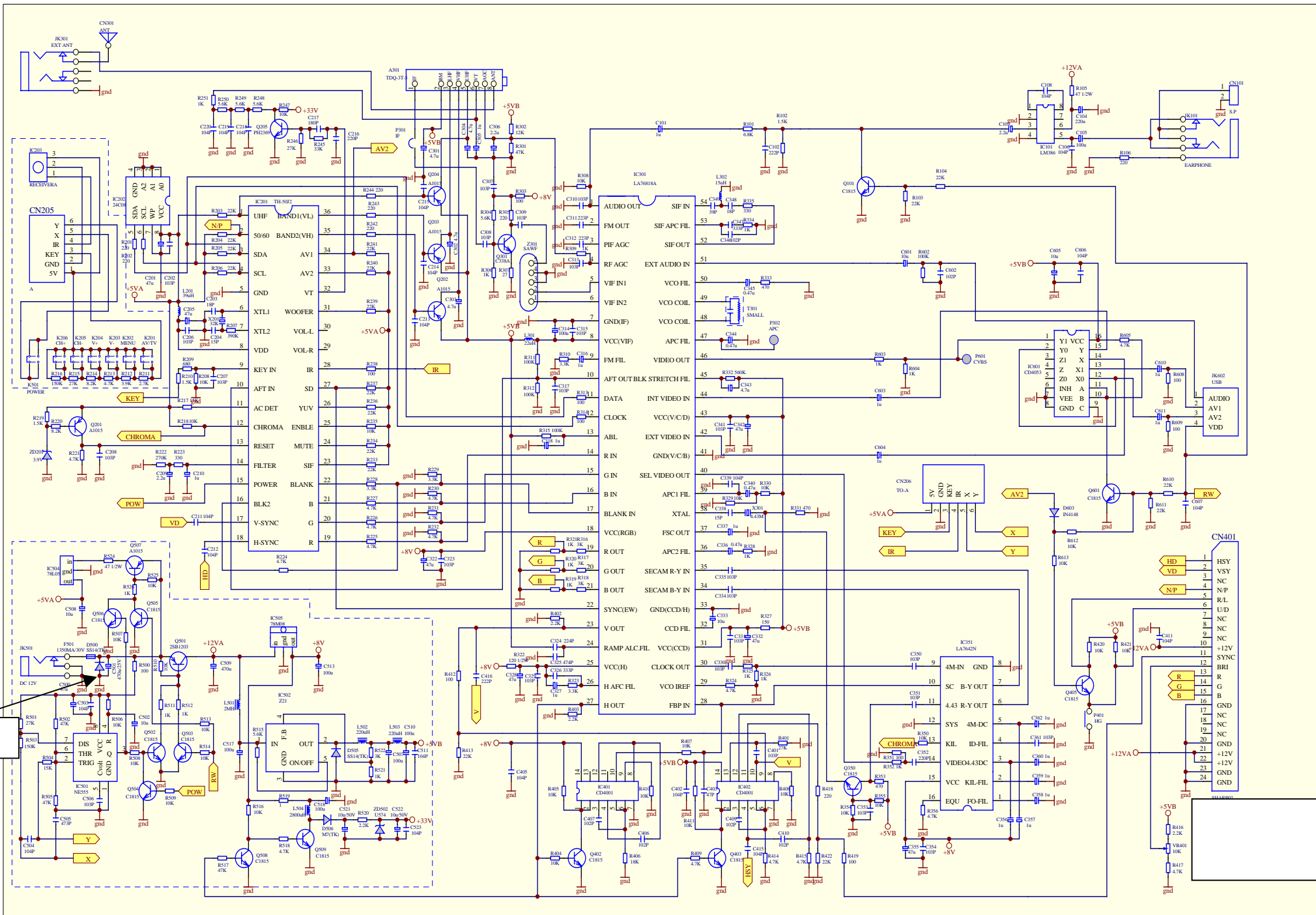
11	Stand		1	
10	Button PCB Board		1	
9	Button	ABS	7	electro
8	Reception Window	PS crystal	1	
7	Rear metals		1	
6	Rear case	ABS	1	
5	Antenna		1	
4	PCB Board		1	
3	TFT LCD Panel		1	
2	Front case	ABS	1	
1	Logo		1	
NO.	DESCRIPTION	MATERIAL	QUANTITY	REMARK

DONGGUAN KAPPAR ELECTRONIC PRODUCTION CO., LTD

UNLESS OTHERWISE SPECIFIED DIMENSIONS ARE IN MM TOLERANCES FRACTIONS DECIMALS ANGLES DEGREES H1 H2 H3 H4 BY THE SCALE INDICATED		MODEL NO: T700	
DRAWN: H.Y.M DATE: 2004.02.16		TITLE:	PART NO:
CHKD:	DATE:	MATERIAL:	UNIT: MM
APPR:	DATE:	SCALE: 1:1	QTY: 1
		FINISHING:	SH 1 OF 1



Title		
Size	Number	Revision
A4		
Date:	10-Aug-2006	Sheet of
File:	M:\leijin雷进文件2\雷进的文件夹\产品\IC303\7022\G170221.DDB	



diode

- AUDIO OUT
- FM OUT
- PIF AGC
- RF AGC
- VIF IN1
- VIF IN2
- GND(IF)
- VCC(VIF)
- FM FIL
- VIDEO OUT
- APT OUT/BLK STRETCH FIL
- DATA
- INT VIDEO IN
- CLOCK
- VCC(V/C/D)
- ABL
- EXT VIDEO IN
- R IN
- GND(V/C/B)
- G IN
- SEL VIDEO OUT
- B IN
- APC1 FIL
- XTAL
- FSC OUT
- R OUT
- APC2 FIL
- G OUT
- SECAM R-Y IN
- B OUT
- SECAM B-Y IN
- SYNC(EW)
- GND(CCD/H)
- V OUT
- CCD FIL
- RAMP ALC.FIL
- VCC(CCD)
- VCC(H)
- CLOCK OUT
- H AFC FIL
- VCO IREF
- H OUT
- FBP IN

- 1 HSY
- 2 VSY
- 3 N/C
- 4 N/P
- 5 N/C
- 6 U/D
- 7 N/C
- 8 N/C
- 9 N/C
- 10 N/C
- 11 +12V
- 12 SYNC
- 13 B
- 14 R
- 15 G
- 16 B
- 17 GND
- 18 N/C
- 19 N/C
- 20 GND
- 21 +12V
- 22 +12V
- 23 GND
- 24 GND