

# **Service Manual**

# **H-LCD702**

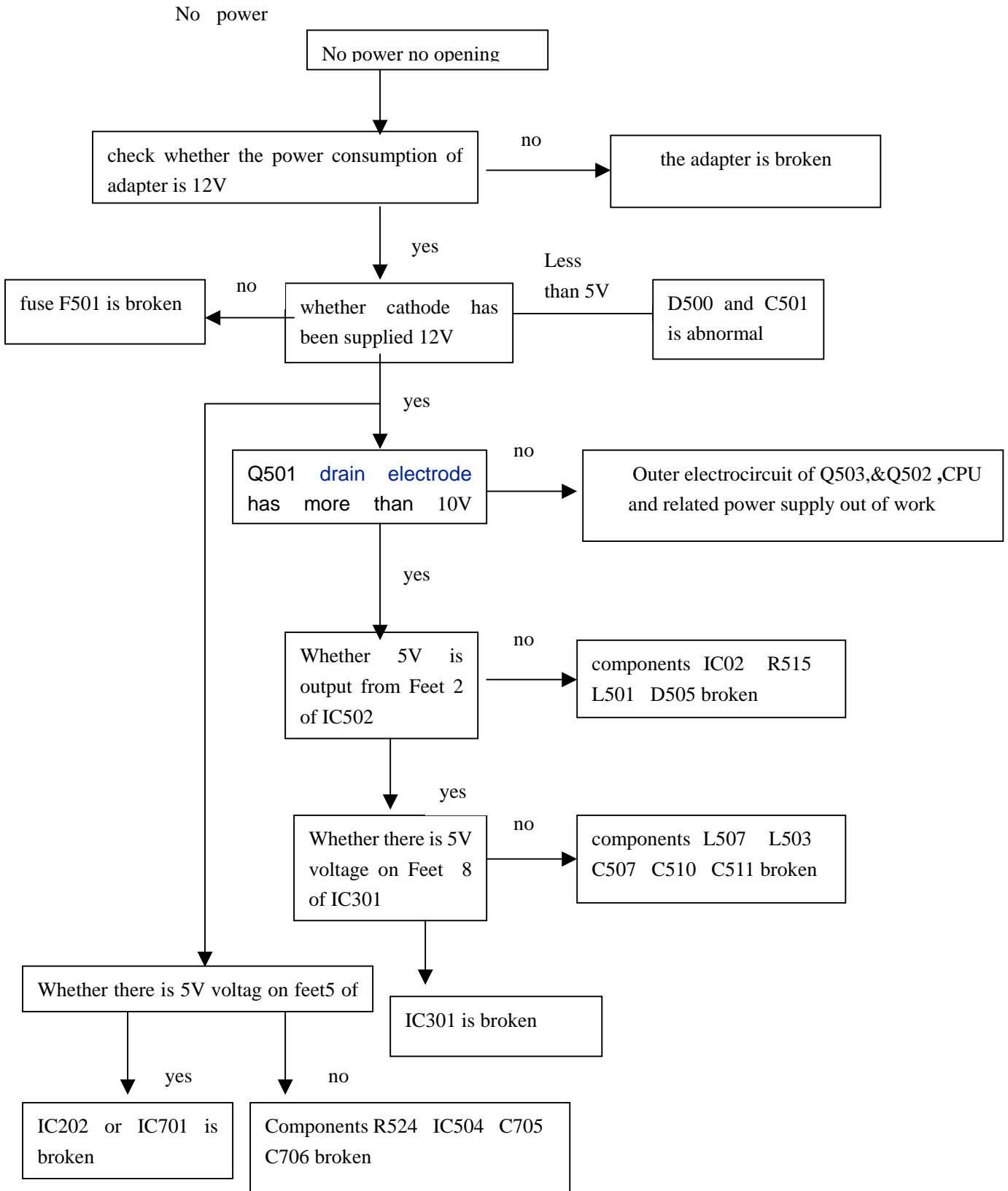
## T701 maintenances manual

Overview: T701 is TFT LCD color TV , with high brightness, high contrastness , clear picture effect . It supports 8 languages OSD menu, humanized menu interface more convenient for customer to operate.

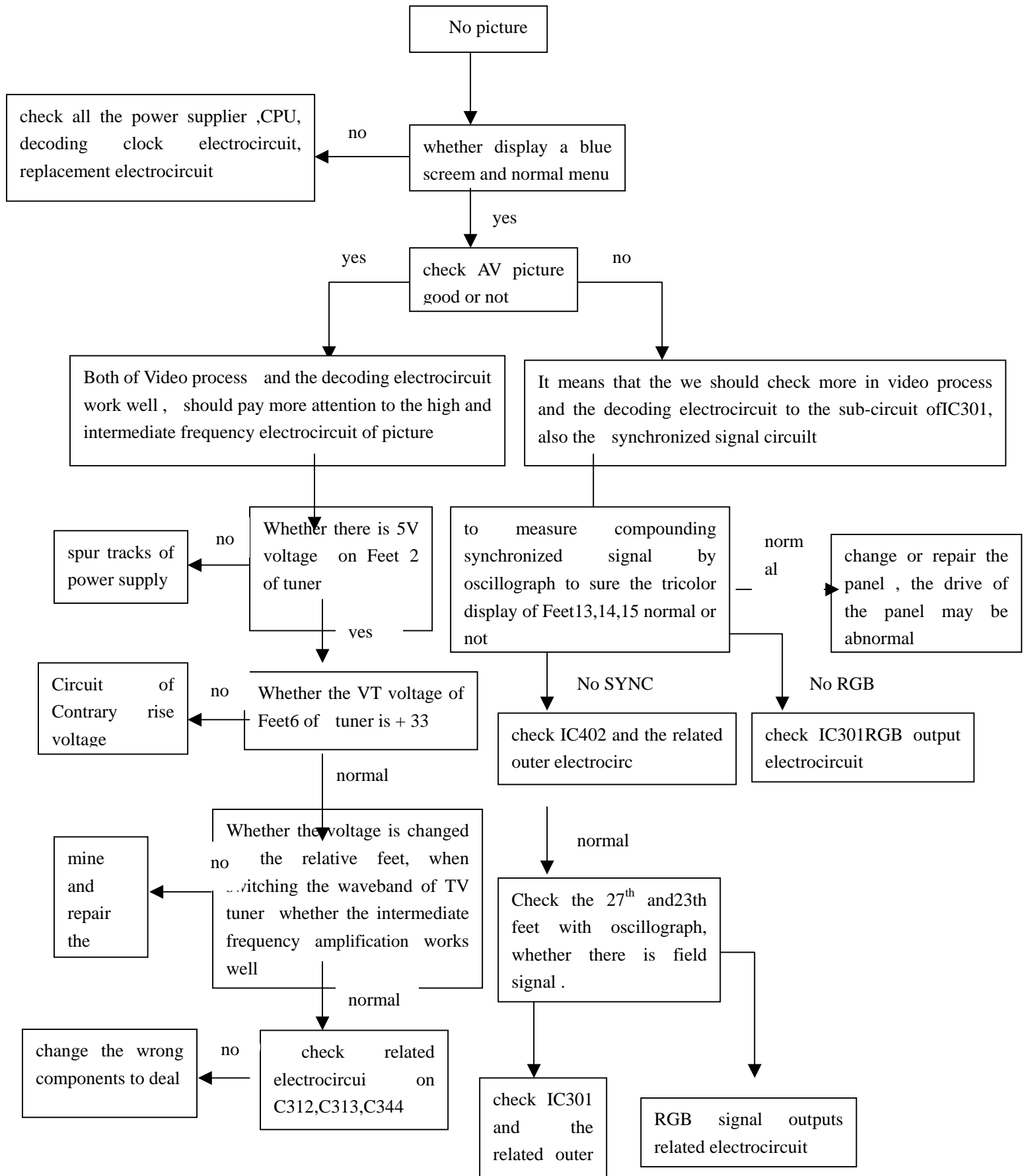
T701 adopts the stable solution from SANYON with stable in electric circuit. The main chip is LA76818 LC863232B 53K7CPU ,in which the former completes the simple signal processing of the whole television, the latter carries out various control functions. LA7642 is the SECAM decoding chip, 24C08 is the EEPROM memory, 4053 is an electronic switch using to choose input signal; It also use two pieces of logic-door electric circuit in 4001, uses to produce composite synchronizing signal and the pulse signal respectively.

We need to get familiar with the principles of each part of unit electric circuit while maintaining this machine concretely. Then reduce the scope of trouble gradually, after the actual phenomenon being examined by instrument tools. Finally find out faulty components, and use another new one to take place of the bad in order to repair the television. There are various of reasons leading to fault. We should use flexible ways while maintaining the TV, to achieve accurate judging and fast repairing.

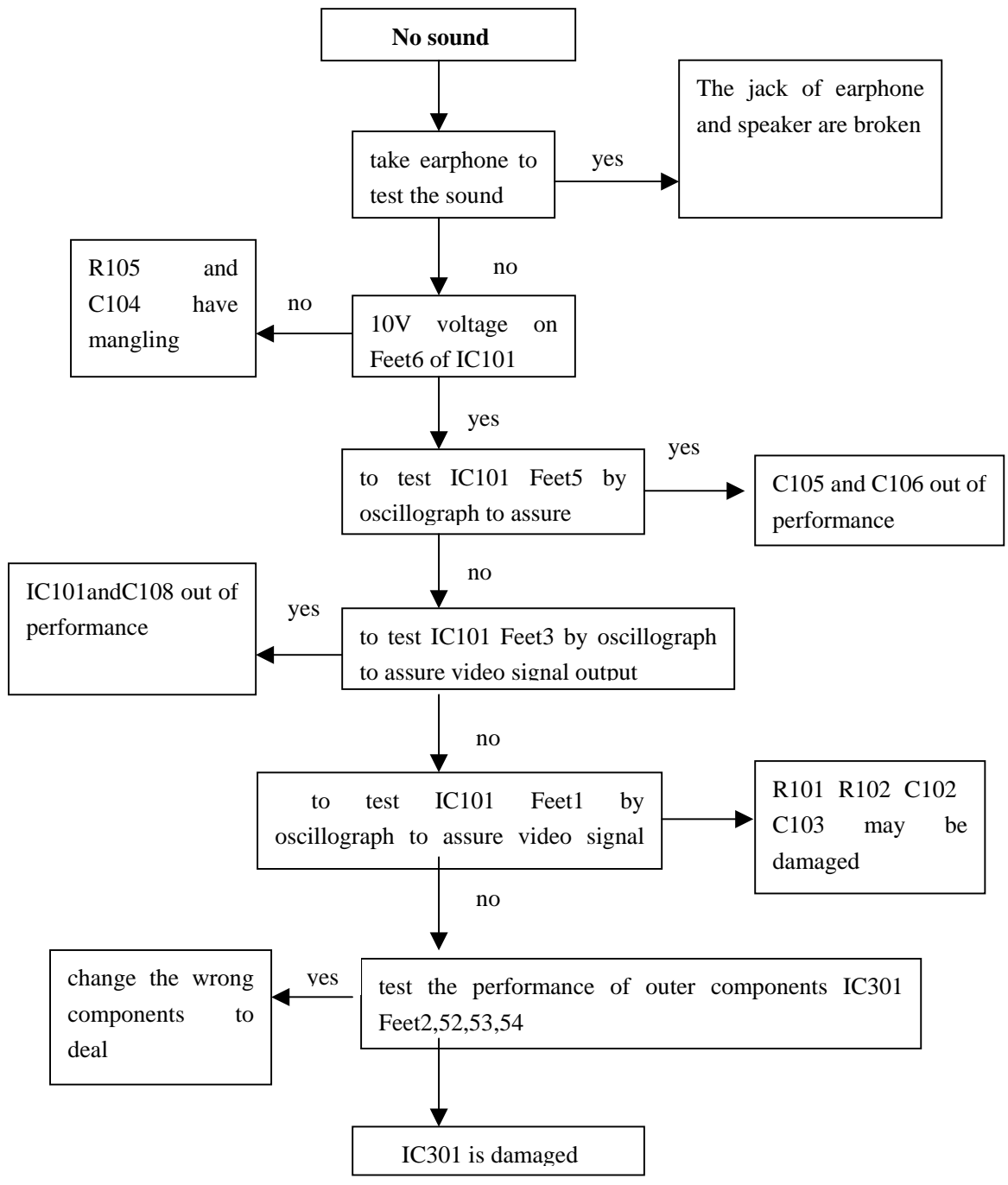
The following are the overhauling flow charts of common breakdowns, which can be used for reference in the service. But we should pay more attention to analyze the actual electric circuit while overhauling, without being blind constantly.



## No picture



# No sound



#### Four, The other faulty

##### No color:

There are two main reasons that cause to no color: firstly, the signal is too weak that the automatic color controls electric circuit and then close color degree passage; Secondly, vice carrier wave creates electric circuit and decoding electric circuit.

If it is caused by the first reason, there will be obvious snowflakes on the general pictures, for which we need to check first the tuner and intermediate frequency circuit components, at the same time we should test the electro circuit of Intermediate player, sound, etc. And it is also can be caused because of the problem of High and Intermediate AGC electric circuit. The high AGC voltage is general for 3V-4V, the medium AGC voltage may have some change for about 2V when the signal varies. The no color problem will be resolved as soon as the weak signal raveled out. During the period of decoding, feet 38 of IC301 have to produce a vice-carrier signal with a stable frequency for 4.43 MHz. Once this signal frequency changes greatly or abnormally, which will lead to no color. Feet 39 is the colorful APC filter, would still have no color if outer capacitance damaged.

##### Program Searching:

Program setting problems can be divided into two aspects: it cannot search program and the automatic search cannot target.

There are a lot of reasons of searching no program, which is commonly caused by high frequency receiver and the related electric circuit. For this question we have to satisfy the priorities:

1. Power supply of high frequency receiver normally use
2. The 33V tuner voltage works normally
3. Wave band controlled by CPU switches well
4. Pre-Intermediate player and AGC are well used

During the maintaining these two electric circuits will be more easy to come into problems: shortage of 33V tuner electric voltage, too low high put AGC voltage.

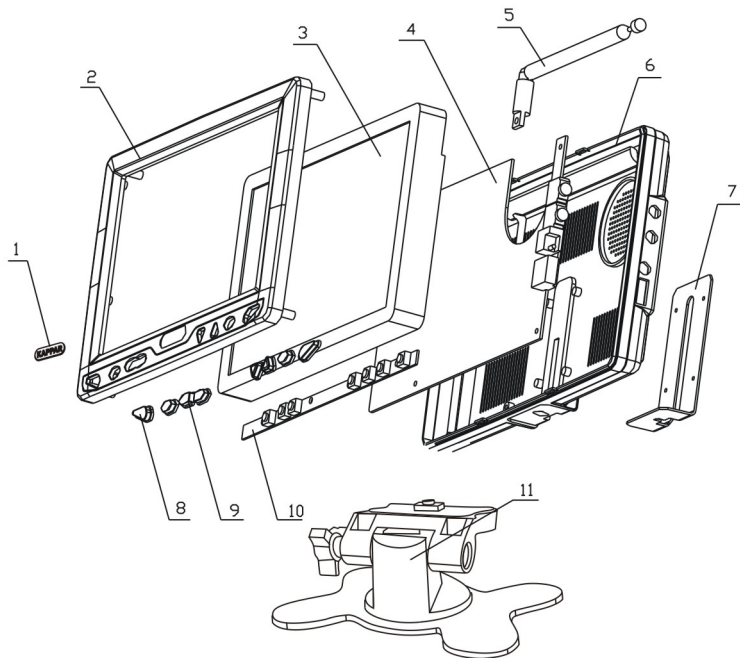
The problem that automatic search cannot target refers that we can search every program but the channel number remains, and after searching it will has no programs. This is mainly caused by four reasons:

1. Feet 31 of IC701 cannot identify the signal normally, which we often can resolve it by checking CPU and related outer electric circuits;
2. AFT signal for Feet 10 of IC701 is abnormal
3. Feet 50 of IC301 outer capacitance electric is creepaged
4. The CPU and memory are damaged.

##### No remote controlling:

First please check whether the remote controlling itself can work well or not, which can be conveniently judged from the reception or the way of substitution. If the remote control is good, but without telecontrol, when we should check whether the receiver power of remote control is normal, whether the signal arriving to CPU has already opened new roads etc, finally change receiver head or CPU. Then we can settle the breakdown.

Attention: Maintaining should be carried on by the experienced and professional technical personnel, strictly forbidden to be dismantled personally, otherwise it will result in larger damages to your machine possibly.



11	Stand		1	
10	Button PCB Board		1	
9	Button	ABS	7	electro
8	Reception Window	PS crystal	1	
7	Rear metals		1	
6	Rear case	ABS	1	
5	Antenna		1	
4	PCB Board		1	
3	TFT LCD Panel		1	
2	Front case	ABS	1	
1	Logo		1	
NO.	DESCRIPTION	MATERIAL	QUANTITY	REMARK

**DONGGUAN KAPPAR ELECTRONIC PRODUCTION CO., LTD**

UNLESS OTHERWISE SPECIFIED DIMENSIONS ARE IN MM TOLERANCES H30M, J30S, K30S, M30L, N31* F30S, G30S, H30S, J30S, K30S, L30S, M30S, N31* BY H30 SCALE		MODEL NO: T700	
DRAWN: H.Y.M DATE: 2004.02.16		TITLE:	PART NO:
CHKD:	DATE:	MATERIAL:	UNIT: MM
APPR:	DATE:	SCALE: 1:1	QTY: 1
		FINISHING:	SH 1 OF 1